



# TACT SWITCH

P/N:TSA12311



## SPECIFICATIONS

Function: Momentary action  
 Contact Arrangement: SPST, Normally Open  
 Termination: SMD version

### Mechanical

Actuation Force: 280±50grams  
 Life Expectancy: 100,000 Operations

### Electrical

Contact Rating: 50mA @ 12V DC  
 Dielectric Strength: 250V AC for 1minute  
 Contact Resistance: 50mΩ Max.  
 Insulation Resistance: 100MΩ Min.  
 Travel: 0.3±0.1mm

### Environmental

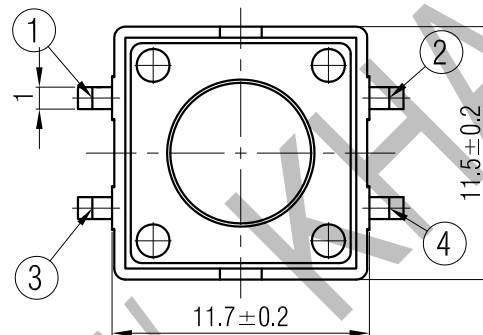
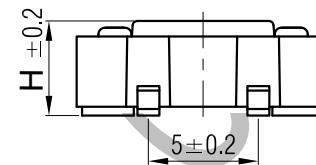
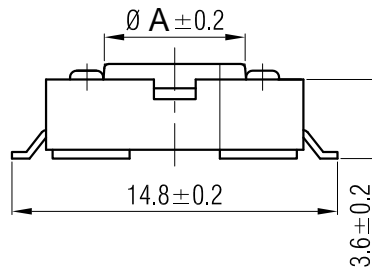
Operating Temperature: -25~+70°C  
 Relative Humidity: (40°C) ≤95%

### Materials

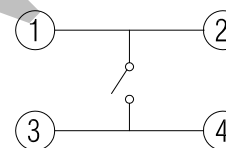
5.Cover: Ferrum with Nickelplate  
 4.Stem: Brown GP.PPA  
 3.Contact: Copper with Silver cladding  
 2.Holder: Brown GP.PPA  
 1.Terminal: Copper (H62Y t=0.3) with Silver Cladding

### Packaging

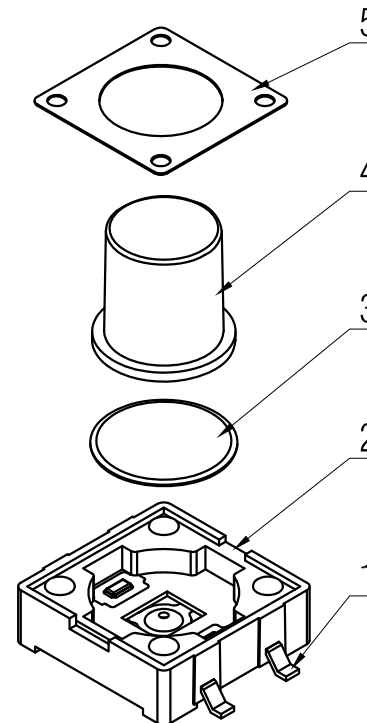
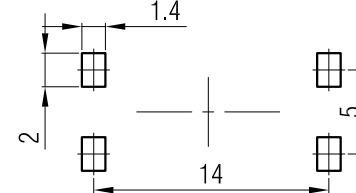
Bulk Package  
 Inner Package: Plastic bag  
 Outer Package: Carton



### CIRCUIT DIAGRAM



### P.C.B. LAYOUT



H	4.3	4.5	5	5.5	6	6.5	7	7.5	7.7	8	8.5	9
A	6.4	6.4	6.4	6.4	6.4	6.2	6.3	6.2	6.2	6.3	6.3	6.2



# KANGHONG ELECTRONIC

VERSION		PROJECTION	DESIGN
KH14FE22E			
SCALE	SIZE	 Dimensions are shown:mm(inches)	DRAWN
3:1	A4		2017.02.15