



TACT SWITCH

P/N:TSA12114



SPECIFICATIONS

Function: Momentary action
 Contact Arrangement: SPST, Normally Open
 Termination: THD version

Mechanical

Actuation Force: 180/280±50grams
 Life Expectancy: 100,000 Operations

Electrical

Contact Rating: 50mA @ 12V DC
 Dielectric Strength: 250V AC for 1minute
 Contact Resistance: 50mΩ Max.
 Insulation Resistance: 100MΩ Min.
 Travel: 0.3±0.1mm

Environmental

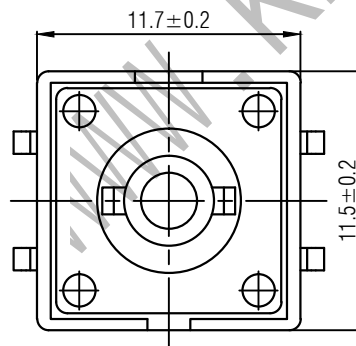
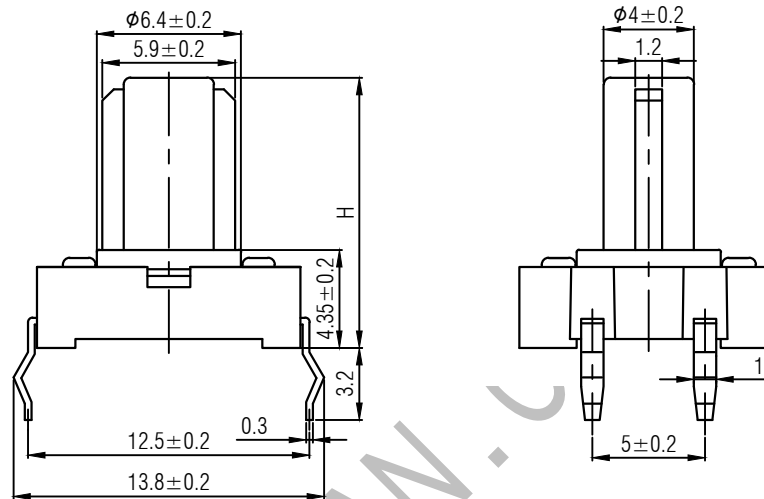
Operating Temperature: -25~+70°C
 Relative Humidity: (40°C) ≤95%

Materials

5.Cover: Ferrum with Nickelplate
 4.Stem: Brown GP.PA66
 3.Contact: Copper with Silver cladding
 2.Holder: Brown GP.PA66
 1.Terminal: Copper (H62Y t=0.3) with Silver Cladding

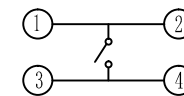
Packaging

Bulk Package
 Inner Package: Plastic bag
 Outer Package: Carton

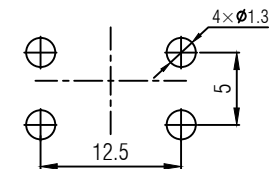


H	11.8	12
---	------	----

CIRCUIT DIAGRAM



P.C.B. LAYOUT



VERSION		PROJECTION	DESIGN	
KH14FE22E				
SCALE	SIZE	 Dimensions are shown:mm(inches)	DRAWN	
3:1	A4		2014.02.22	APPROVAL