

DUSTPROOF TACT SWITCH
P/N:TSD45311



SPECIFICATIONS

Function: Momentary action
Contact Arrangement: SPST, Normally Open
Termination: SMD version

Mechanical

Actuation Force: 160±50/250±50grams
Life Expectancy: 50,000 Operations

Electrical

Contact Rating: 50mA, 12V DC
Dielectric Strength: 250V AC for 1min
Contact Resistance: 200mΩ Max.
Insulation Resistance: 100MΩ Min.
Travel: 0.20±0.1mm

Environmental

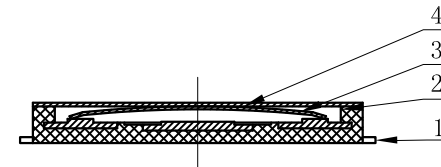
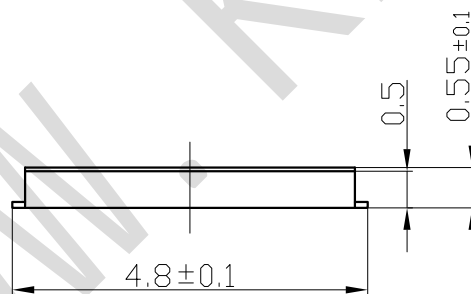
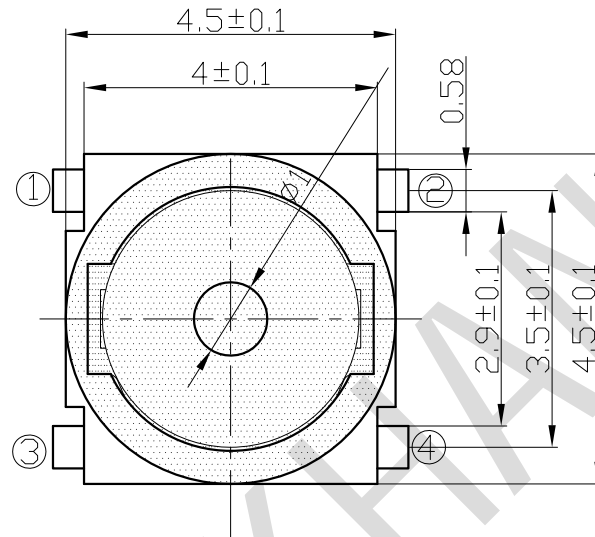
Operating Temperature: -20~+70℃
Relative Humidity: (40℃)≤70%RH

Materials

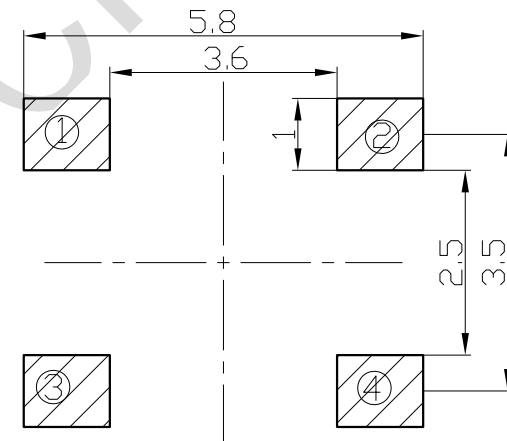
4. Waterproof membrane: PIF membrane
3. Contact: Stainless Steel with Silver cladding
2. Holder: Black LCP
1. Terminal: Phosphor copper(t=0.08)

Packaging

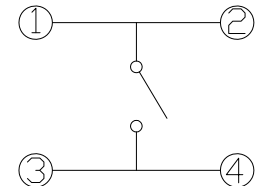
Bulk Package
Inner Package: Plastic bag
Outer Package: Carton



P.C.B. LAYOUT



CIRCUIT DIAGRAM



WENZHOU KHAN ELECTRONIC

VERSION		PROJECTION	DESIGNED	Wei Lin
KH14FE22E			CHECKED	ZhongJu Peng
SCALE	SIZE	Dimensions are shown:mm(inches)	APPROVED	Johan Xu
5:1	A4		2022.07.04	