

PUSH SWITCH

P/N:KAN1-24-J1



SPECIFICATIONS

Function: Non-lock type
Termination: THD version

Mechanical

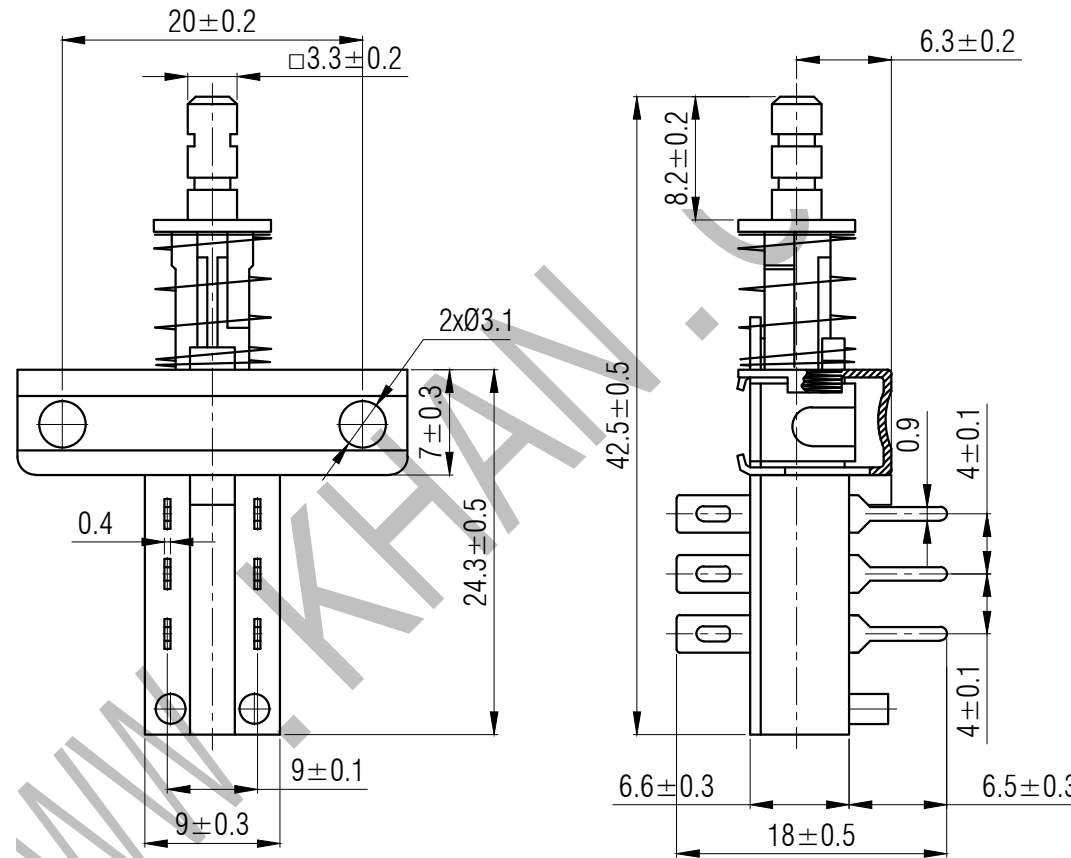
Life Expectancy: 10,000 Operations

Electrical

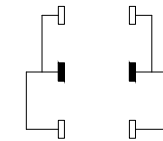
Contact Rating: 50mA @ 30V DC
Dielectric Strength: 250VAC for 1minute
Contact Resistance: 50mΩ Max.
Insulation Resistance: 100MΩ Min.

Packaging

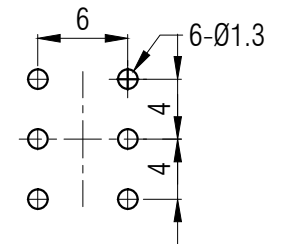
Bulk Package
Inner Package: Plastic bag
Outer Package: Carton



CIRCUIT DIAGRAM



Dimension of The Terminals



VERSION		PROJECTION	DESIGN	
KH14FE22E				
SCALE	SIZE	 Dimensions are shown:mm(inches)	DRAWN	
2:1	A4		2014.02.20	APPROVAL