

TACT SWITCH

P/N:TSL06122

ILLUMINATED



SPECIFICATIONS

Function: Momentary action
 Contact Arrangement: SPST, Normally Open
 Termination: THD version

Mechanical

Actuation Force: 180/250±50grams
 Life Expectancy: 100,000 Operations

Electrical

Contact Rating: 50mA @ 12V DC
 Dielectric Strength: 250VAC for 1minute
 Contact Resistance: 50mΩ Max.
 Insulation Resistance: 100MΩ Min.
 Travel: 0.25±0.1mm

Environmental

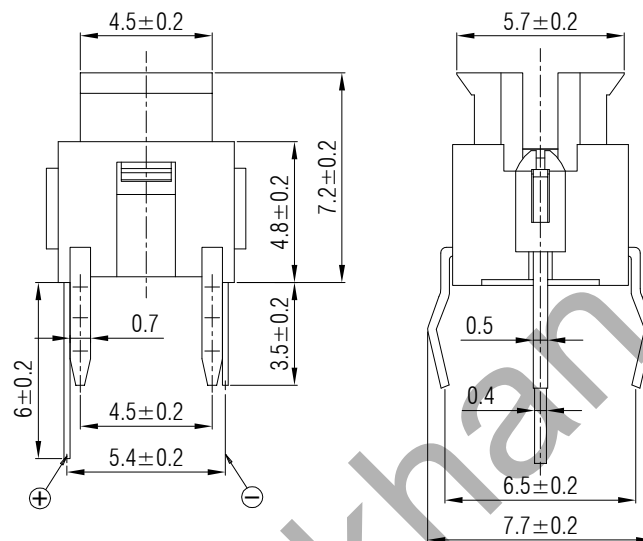
Operating Temperature: -25~+70°C
 Relative Humidity: (40°C) ≤95%

Materials

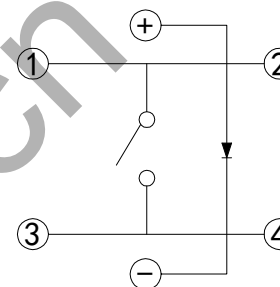
5.LED: White,Orange,Blue,Yellow,Green,Red
 4.Stem: GP.PA66
 3.Contact: Stainless steel with Silver cladding
 2.Holder: Black GP.PA66
 1.Terminal: Copper (H62Y t=0.3)with Silver Cladding

Packaging

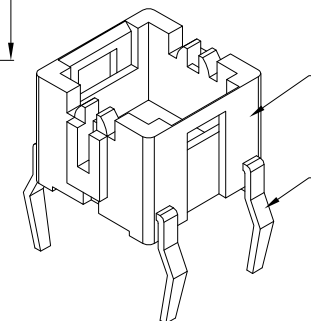
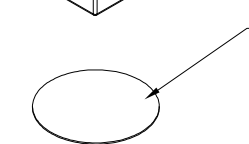
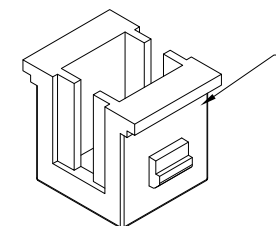
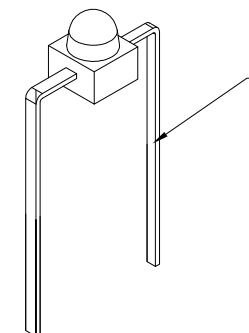
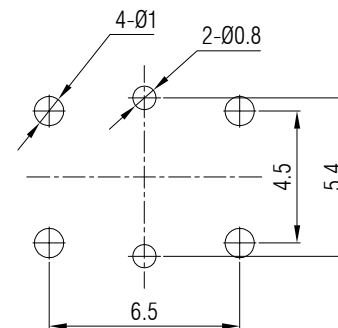
Bulk Package:
 Inner Package: Plastic bag
 Outer Package: Carton



CIRCUIT DIAGRAM



P.C.B. LAYOUT



WENZHOU KHAN ELECTRONIC

VERSION		PROJECTION	DESIGN	Shuqing Zhu
KH14FE22E			DRAWN	Wei Ling
SCALE	SIZE	Dimensions are shown:mm(inches) 2021.07.26	APPROVAL	Johan Xu
4:1	A4			