

TACT SWITCH

P/N:TSD05311-H



SPECIFICATIONS

Function: Momentary action
 Contact Arrangement: SPST, Normally Open
 Termination: SMD version

Mechanical

Actuation Force: 280±50grams
 Life Expectancy: 100K Operations

Electrical

Contact Rating: 50mA @ 12V DC
 Dielectric Strength: 250V AC for 1minute
 Contact Resistance: 100mΩ Max.
 Insulation Resistance: 100MΩ Min.
 Travel: 0.25±0.1mm

Environmental

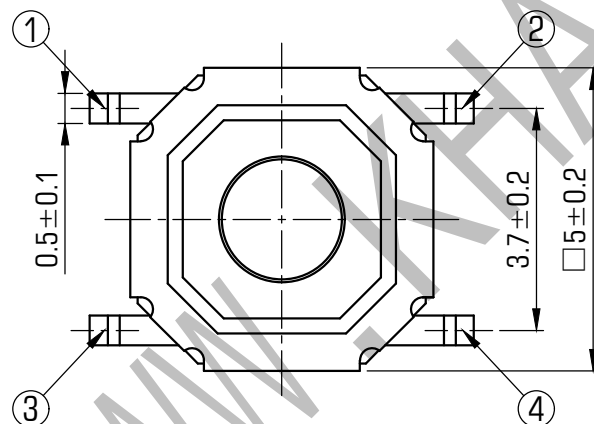
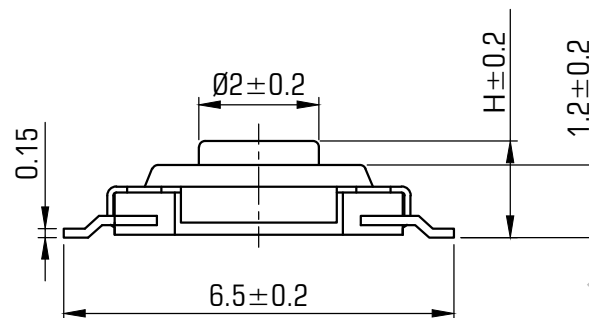
Operating Temperature: -25~+70°C
 Relative Humidity: (40°C) ≤95%

Materials

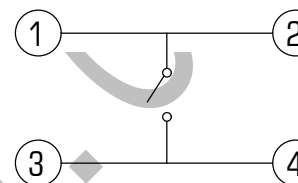
6.Cover: Stainless Steel
 5.Stem: Copper/White GP.PPA
 4.Waterproof membrane: PIF membrane
 3.Contact: Stainless Steel with Silver cladding
 2.Holder: Black GP.PPA
 1.Terminal: Copper with Silver Cladding

Packaging

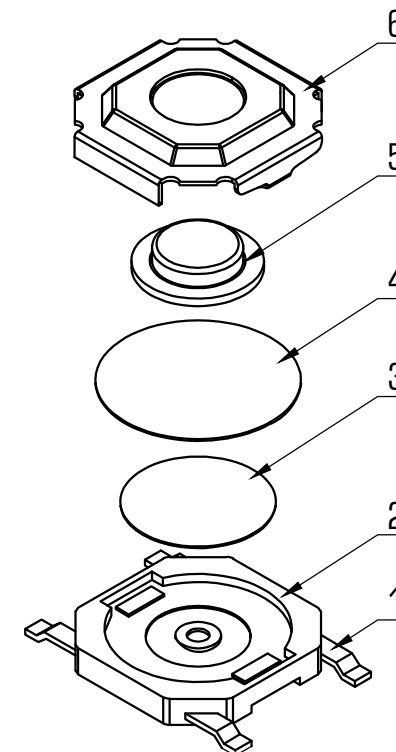
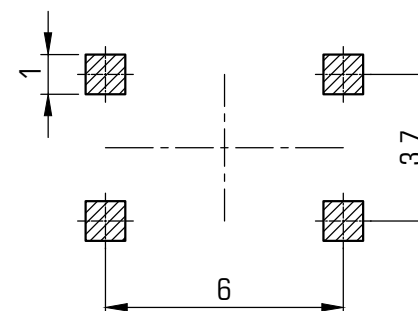
Bulk Package
 Inner Package: Plastic bag
 Outer Package: Carton



CIRCUIT DIAGRAM



P.C.B LAYOUT



| | | | | |
|---|-----|-----|-----|-----|
| H | 1.5 | 1.6 | 1.7 | 4.3 |
|---|-----|-----|-----|-----|



KANGHONG ELECTRONIC

| | | | | |
|-----------|------|-------------------------------------|------------|-----------|
| VERSION | | PROJECTION | DESIGN | YUDA AO |
| KH14FE22E | | | DRAWN | ZHIJIE LU |
| SCALE | SIZE | Dimensions are shown:mm(inches) | APPROVAL | JUNHUI XU |
| 8:1 | A4 | | 2016.01.06 | |