

TACT SWITCH

P/N TSA12319

SPECIFICATIONS

Function: Momentary action
 Contact Arrangement: SPST, Normally Open
 Termination: SMD version

Mechanical

Actuation Force: 280±50grams
 Life Expectancy: 100,000 Operations

Electrical

Contact Rating: 50mA @ 12V DC
 Dielectric Strength: 250V AC for 1minute
 Contact Resistance: 50mΩ Max.
 Insulation Resistance: 100MΩ Min.
 Travel: 0.3±0.1mm

Environmental

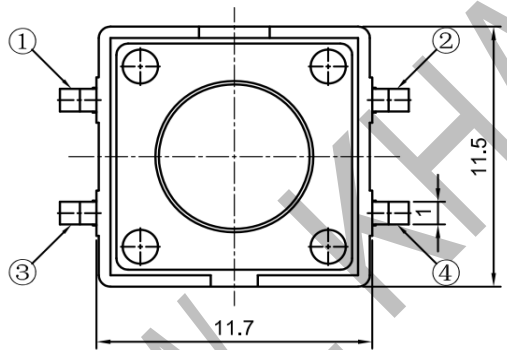
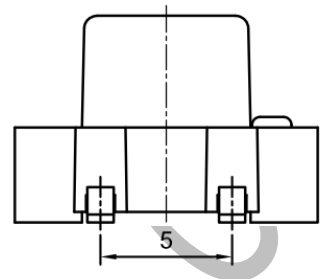
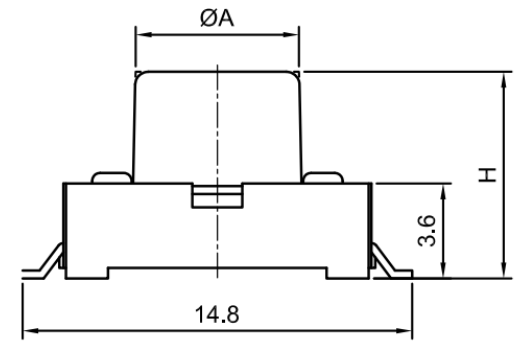
Operating Temperature: -25~+70°C
 Relative Humidity: (40°C) ≤95%

Materials

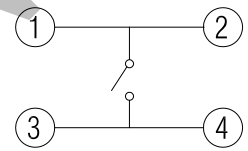
- 5.Cover: Ferrum with Nickelplate
- 4.Stem: Brown GP.PPA (Positioning stem)
- 3.Contact: Copper with Silver cladding
- 2.Holder: Brown GP.PPA
- 1.Terminal: Copper (H62Y t=0.3) with Silver Cladding

Packaging

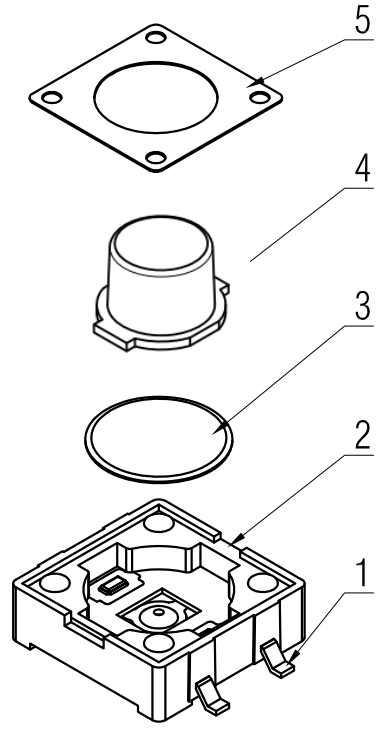
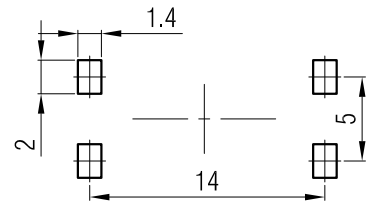
Bulk Package
 Inner Package: Plastic bag
 Outer Package: Carton



CIRCUIT DIAGRAM



P.C.B. LAYOUT



H	4.3	4.5	5	5.5	6	6.5	7	7.5	7.7	8	8.5	9	9.5	10
A	6.4	6.4	6.4	6.4	6.4	6.2	6.3	6.2	6.2	6.3	6.3	6.2	6.2	6.3
H	10.5	11	11.5	12	12.5	13	14	15	15.5	17	18	19.7	21	
A	6.2	6.2	6.2	6.2	6.2	6.2	6.2	6.2	6.2	6.1	6.1	6.1	6.1	



VERSION		PROJECTION	DESIGN
KH14FE22E			
SCALE	SIZE	 Dimensions are shown:mm(inches)	DRAWN
3:1	A4		2017.02.15