

# TACT SWITCH

P/N:TSA06231 -H-0030



## SPECIFICATIONS

Function: Momentary action  
 Contact Arrangement: SPST, Normally Open  
 Termination: THD version

### Mechanical

Actuation Force: 180±50grams  
 Life Expectancy: 100K Operations

### Electrical

Contact Rating: 50mA @ 12V DC  
 Dielectric Strength: 250V AC for 1minute  
 Contact Resistance: 50mΩ Max.  
 Insulation Resistance: 100MΩ Min.  
 Travel: 0.25±0.1mm

### Environmental

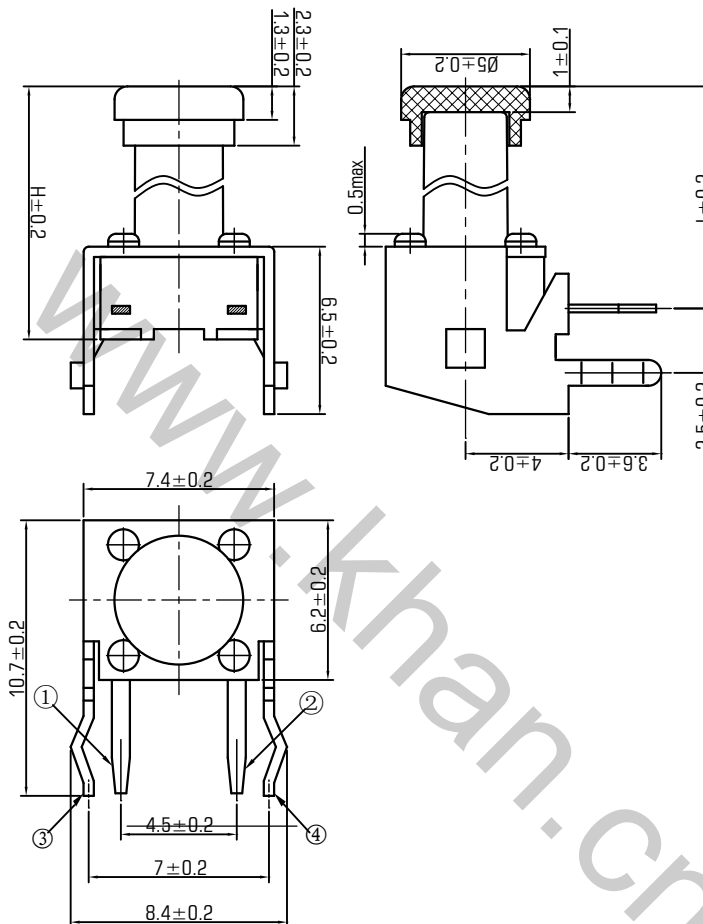
Operating Temperature: -25~+70°C  
 Relative Humidity: (40°C) ≤95%

### Materials

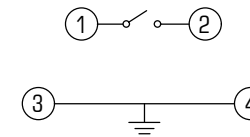
6.Cap: White GP.PC  
 5.Cover: Ferrum with Copper and Tin Cladding  
 4.Stem: Black GP.PA66  
 3.Contact: Copper with Silver Cladding  
 2.Holder: Black GP.PA66  
 1.Terminal: Copper with Silver Cladding

### Packaging

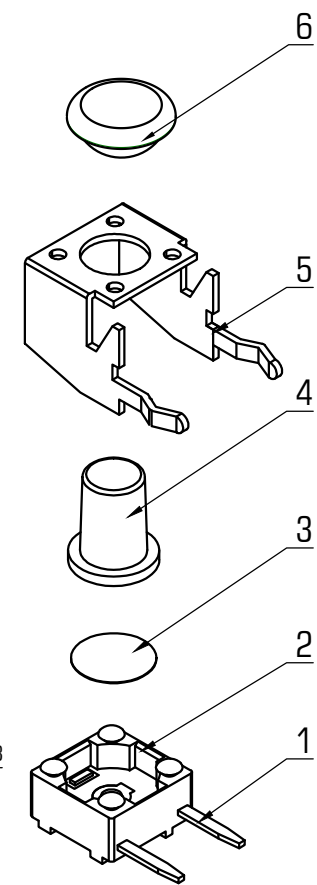
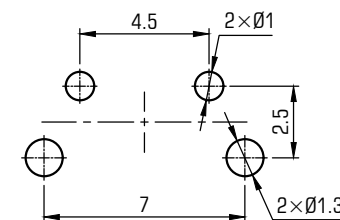
Bulk Package  
 Inner Package: Plastic bag  
 Outer Package: Carton



### CIRCUIT DIAGRAM



### P.C.B. LAYOUT



|   |       |       |       |       |       |       |       |       |       |       |       |       |       |       |       |       |
|---|-------|-------|-------|-------|-------|-------|-------|-------|-------|-------|-------|-------|-------|-------|-------|-------|
| L | 5.85  | 6.25  | 6.35  | 6.45  | 6.85  | 7.15  | 7.35  | 7.85  | 8.35  | 8.65  | 8.85  | 9.35  | 9.55  | 9.75  | 9.85  | 10.15 |
| H | 7     | 7.4   | 7.5   | 7.6   | 8     | 8.3   | 8.5   | 9     | 9.5   | 9.8   | 10    | 10.5  | 10.7  | 10.9  | 11    | 11.3  |
| L | 10.35 | 10.85 | 11.35 | 11.85 | 12.35 | 12.85 | 13.35 | 13.85 | 14.35 | 14.85 | 15.35 | 15.45 | 15.85 | 16.35 | 16.85 |       |
| H | 11.5  | 12    | 12.5  | 13    | 13.5  | 14    | 14.5  | 15    | 15.5  | 16    | 16.5  | 16.6  | 17    | 17.5  | 18    |       |



# KANGHONG ELECTRONIC

|           |      |                                 |            |           |
|-----------|------|---------------------------------|------------|-----------|
| VERSION   |      | PROJECTION                      | DESIGN     | YUDA AO   |
| KH14FE22E |      |                                 | DRAWN      | ZHIJIE LU |
| SCALE     | SIZE | Dimensions are shown:mm(inches) | APPROVAL   | JUNHUI XU |
| 4:1       | A4   |                                 | 2016.12.14 |           |