



TACT SWITCH

P/N: TSW06112-170-003E

WATERPROOF



SPECIFICATIONS

Function: Momentary action
 Contact Arrangement: SPST, Normally Open
 Termination: THD version

Mechanical

Actuation Force: 230±50grams
 Life Expectancy: 100K Operations

Electrical

Contact Rating: 50mA @ 12V DC
 Dielectric Strength: 250V AC for 1minute
 Contact Resistance: 100mΩ Max.
 Insulation Resistance: 100MΩ Min.
 Travel: 0.3±0.1mm

Environmental

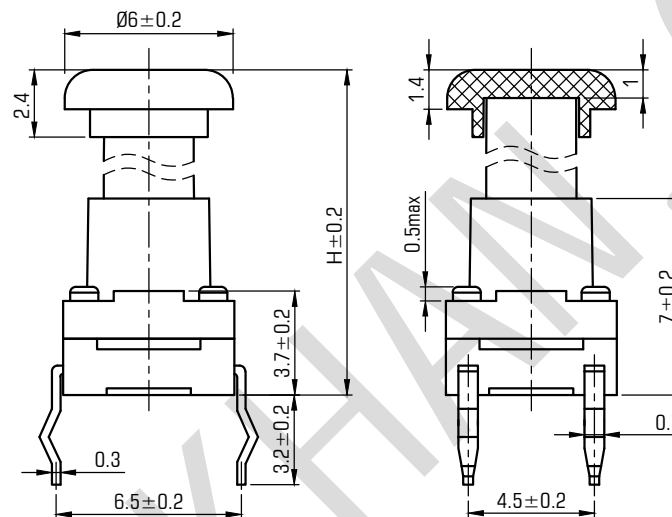
Operating Temperature: -25~+70°C
 Relative Humidity: (40°C) ≤95%

Materials

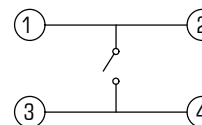
- 8.Cap: White GP.PC
- 7.Cover: Black GP.PA66
- 6.Stem: Black GP.PC
- 5.Washer: Rubber
- 4.Waterproof membrane: PIF membrane
- 3.Contact: Stainless Steel with Silver Cladding
- 2.Holder: Black GP.PA66
- 1.Terminal: Copper (H62Y) with Silver Cladding

Packaging

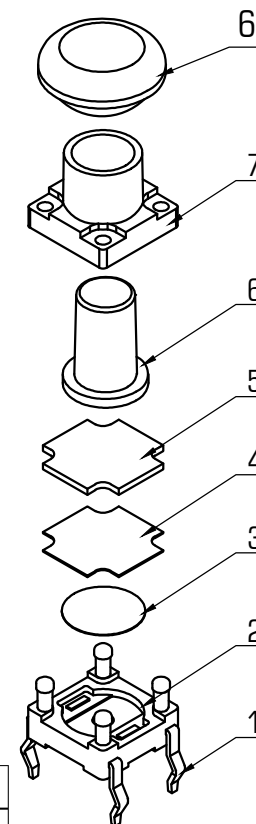
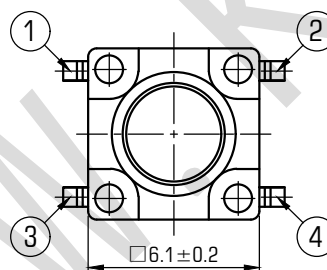
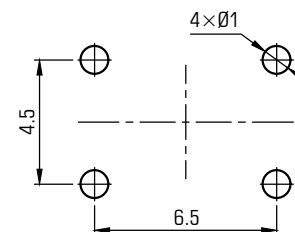
Bulk Package
 Inner Package: Plastic bag
 Outer Package: Carton



CIRCUIT DIAGRAM



P.C.B. LAYOUT



H	9	9.5	9.8	10	10.5	10.7	10.9	11	11.3	11.5	12	12.5	13	13.5	14
H	14.5	15	15.5	16	16.5	16.6	17	17.5	18	18	18.5	19	19.5	20	20.5
H	20.7	21.2	22	23	24	24.5	25.5	25.8	26	27	28.2	29	30	32	



KHAN ELECTRONIC

VERSION

KH14FE22E

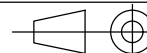
SCALE

4:1

SIZE

A4

PROJECTION



Dimensions are shown:mm(inches)

2018.07.24

DESIGN

YUDA AO

DRAWN

YUDA AO

APPROVAL

JUNHUI XU