



Push button switch

P/N:PBS04-01U208C-G



Mechanical

Actuation Force: 2~4N
Life Expectancy: 30,000 Operations

Environmental

Operating Temperature: -10~+60°C
Relative Humidity: (40°C) ≤ 70%RH

Electrical

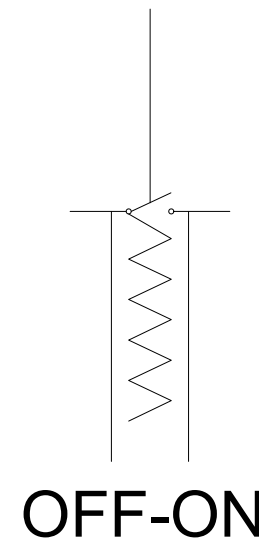
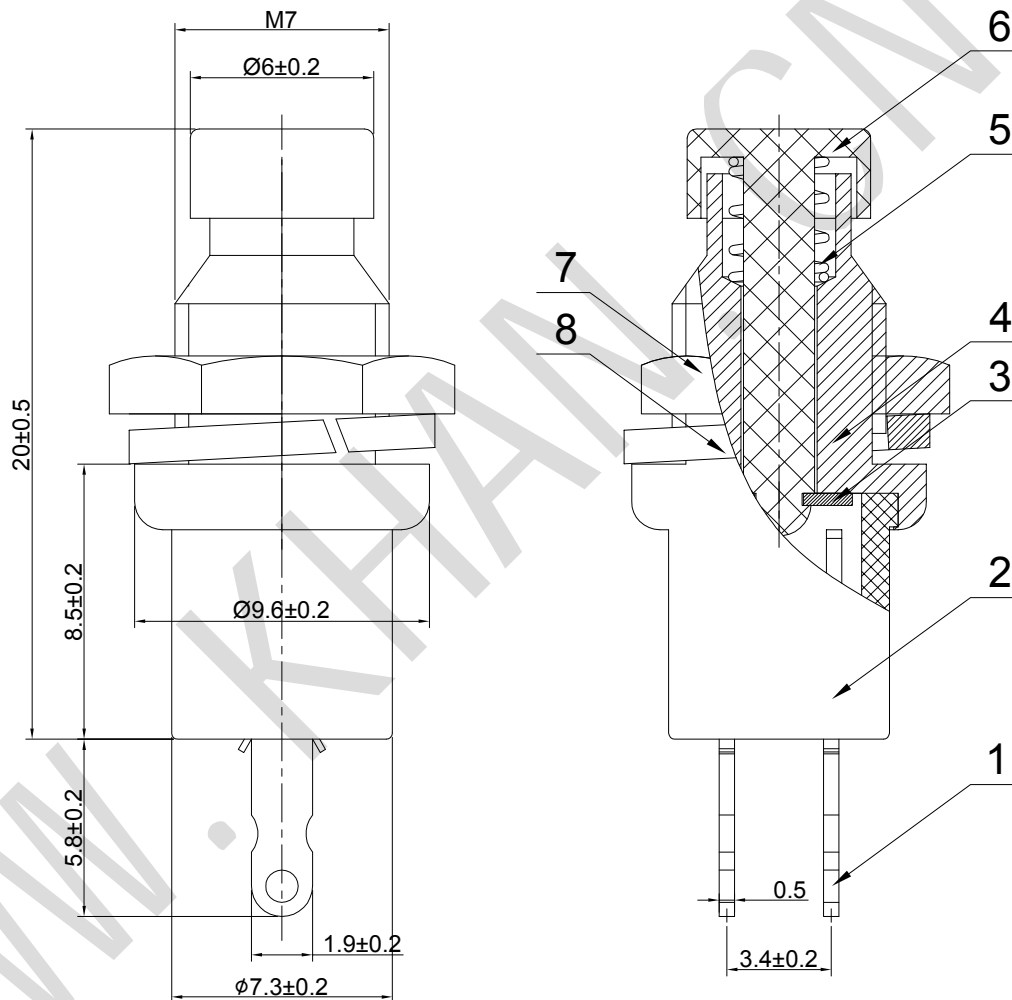
Contact Rating: 0.3 A @ 30V DC
Dielectric Strength: 500V AC for 1 Min.
Contact Resistance: 50mΩ Max.
Insulation Resistance: 100MΩ Min.
Travel: 0.8±0.1mm

Materials

8.Spring pad: Standard parts
7.Hex nut: Standard parts
6.handle : polyformaldehyde Green
5.The spring: Carbon Spring Steel Wire
4.The shell: steel plate 08F Copper-plated Tin
3.Moving contact piece : Tin bronze with Silver plated
2.Holder: Black GP.PA66
1.Terminal: Copper with Silver Cladding(t=0.4)

Packaging

Bulk Package
Inner Package: Plastic bag
Outer Package: Carton

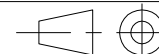


WENZHOU KHAN ELECTRONIC

VERSION

KH14FE22E

PROJECTION



Dimensions are shown:mm(inches)

2022.05.11

DESIGNED

Wei Lin

CHECKED

ZhongJu Peng

APPROVED

Johan Xu

SCALE

5:1

SIZE

A4