



TACT SWITCH

P/N:TSA06131-H-007E



SPECIFICATIONS

Funtion: Momentary action
 Contact Arrangement: SPST, Normally Open
 Termination: THD version

Mechanical

Actuation Force: 180±50grams
 Life Expectancy: 500,000 Operations

Electrical

Contact Rating: 50mA . 12V DC
 Dielectric Strength: 250V AC for 1 Min.
 Contact Resistance: 100mΩ Max.
 Insulation Resistance: 100MΩ Min.
 Travel: 0.25±0.1mm

Environmental

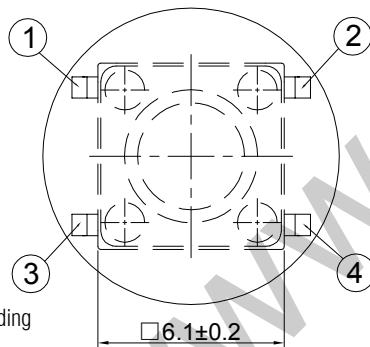
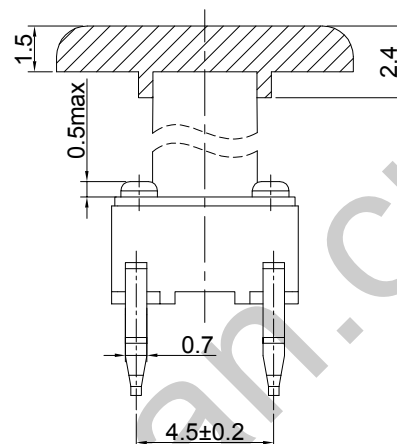
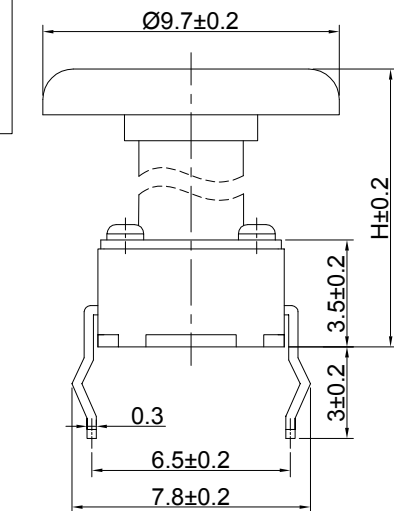
Operating Temperature: -25~ +70℃
 Relative Humidity: (40℃)≤70%RH

Materials

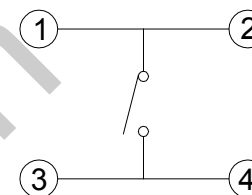
- 6.Cap: White GP.PC
- 5.Cover: Copper with Nickelplate
- 4.Stem: Black GP.PC
- 3.Contact: Stainless Steel with Silver cladding
- 2.Holder: Black GP.PA66
- 1.Terminal: Copper with Silver Cladding

Packaging

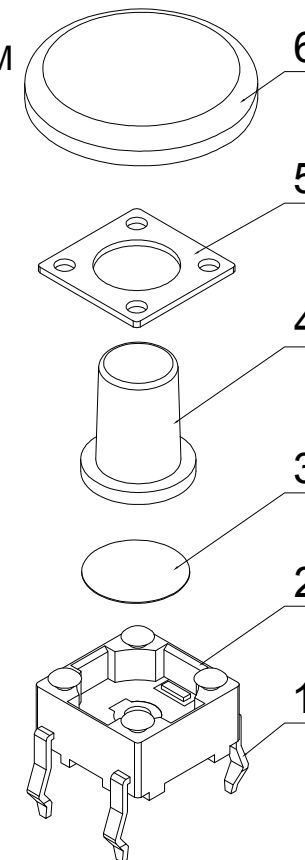
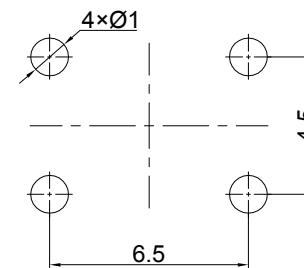
Bulk Package
 Inner Package: Plastic bag
 Outter Package: Carton



CIRCUIT DIAGRAM



P.C.B. LAYOUT



H	9.5	10	10.5	11	11.5	12	12.2	12.5	13	13.5	14	14.5
H	15	15.5	16	16.2	16.5	17	17.5	18	18.5	18.7	19	19.5
H	20	20.2	20.5	20.7	21	21.2	21.5	21.7	22.2	22.5	23	23.5
H	24	24.2	24.5	25	25.5	26	26.2	26.5	27.5	27.7	28.4	28.5
H	28.7	28.9	29.5	30.5	31.5	32.5						



WENZHOU KHAN ELECTRONIC

VERSION

KH14FE22E

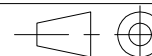
SCALE

5:1

SIZE

A4

PROJECTION



Dimensions are shown:mm(inches)

2022.05.11

DESIGNED

Wei Lin

CHECKED

ZhongJu Peng

APPROVED

Johan Xu