



SWITCH CAP
P/N:SC315



Materials ABS

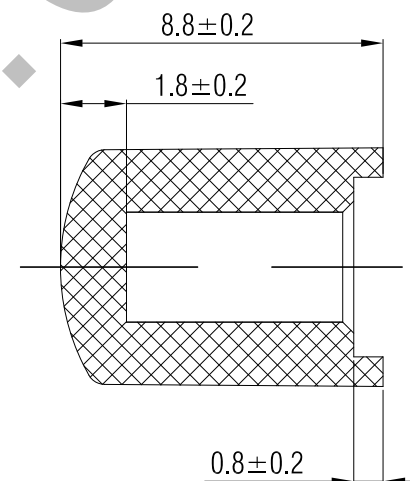
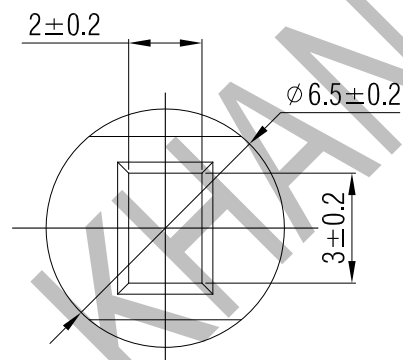
Color Black Red
(OEM AVAILABLE)

Packaging

Bulk Package

Inner Package: Plastic bag

Outer Package: Carton



WENZHOU KHAN ELECTRONIC

VERSION		PROJECTION	DESIGN	SHUQING ZHU
KH14FE22E			DRAWN	ZHONGJU PENG
SCALE	SIZE	 Dimensions are shown:mm(inches)	APPROVAL	JUNHUI XU
5:1	A4		2020.03.18	