



TACT SWITCH

P/N:TSL06111

ILLUMINATED



SPECIFICATIONS

Function: Momentary action
 Contact Arrangement: SPST, Normally Open
 Termination: THD version

Mechanical

Actuation Force: 180±50grams
 Life Expectancy: 100,000 Operations

Electrical

Contact Rating: 50mA @ 12V DC
 Dielectric Strength: 250VAC for 1minute
 Contact Resistance: 50mΩ Max.
 Insulation Resistance: 100MΩ Min.
 Travel: 0.25±0.1mm

Environmental

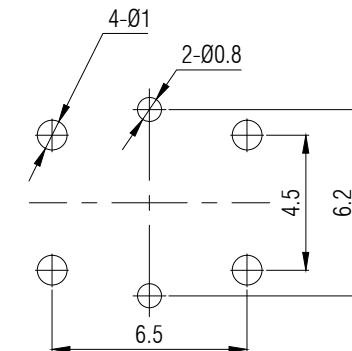
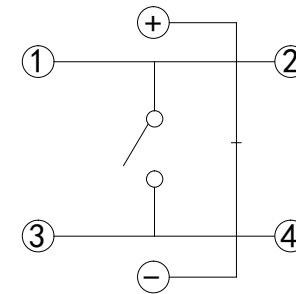
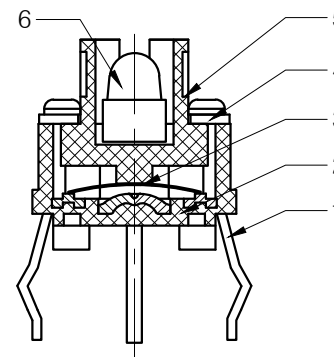
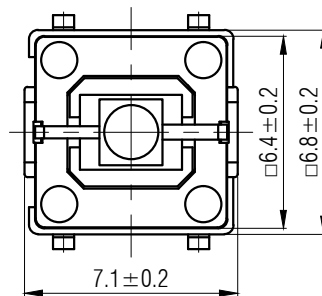
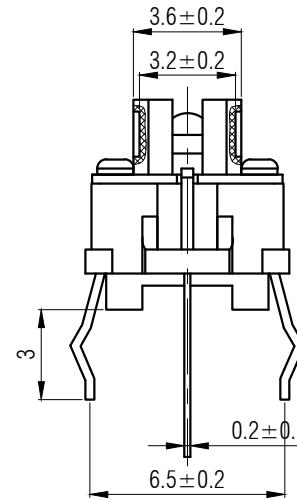
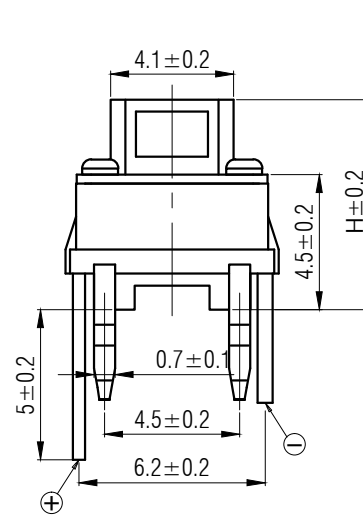
Operating Temperature: -25~+70°C
 Relative Humidity: (40°C) ≤95%

Materials

6.LED: Blue, White, Orange, Red, Yellow, Green...
 5.Stem: GP.PC
 4.Cover: PET
 3.Contact: stainless steel with Silver cladding
 2.Holder: Black GP.PA66
 1.Terminal: Copper (H62Y t=0.3) with Silver Cladding

Packaging

Bulk Package: Plastic bag
 Inner Package: Carton
 Outer Package: Carton



H	7	13.5
---	---	------



KANGHONG ELECTRONIC

VERSION		PROJECTION	DESIGN
KH14FE22E			
SCALE	SIZE	 Dimensions are shown:mm(inches)	DRAWN
4:1	A4		2014.02.20