



TACT SWITCH

P/N: TSW08115-H

WATERPROOF



SPECIFICATIONS

Function: Momentary action
 Contact Arrangement: SPST, Normally Open
 Termination: THD version

Mechanical

Actuation Force: 230±50grams
 Life Expectancy: 100,000 Operations

Electrical

Contact Rating: 50mA @ 12V DC
 Dielectric Strength: 250V AC for 1minute
 Contact Resistance: 50mΩ Max.
 Insulation Resistance: 100MΩ Min.
 Travel: 0.3±0.1mm

Environmental

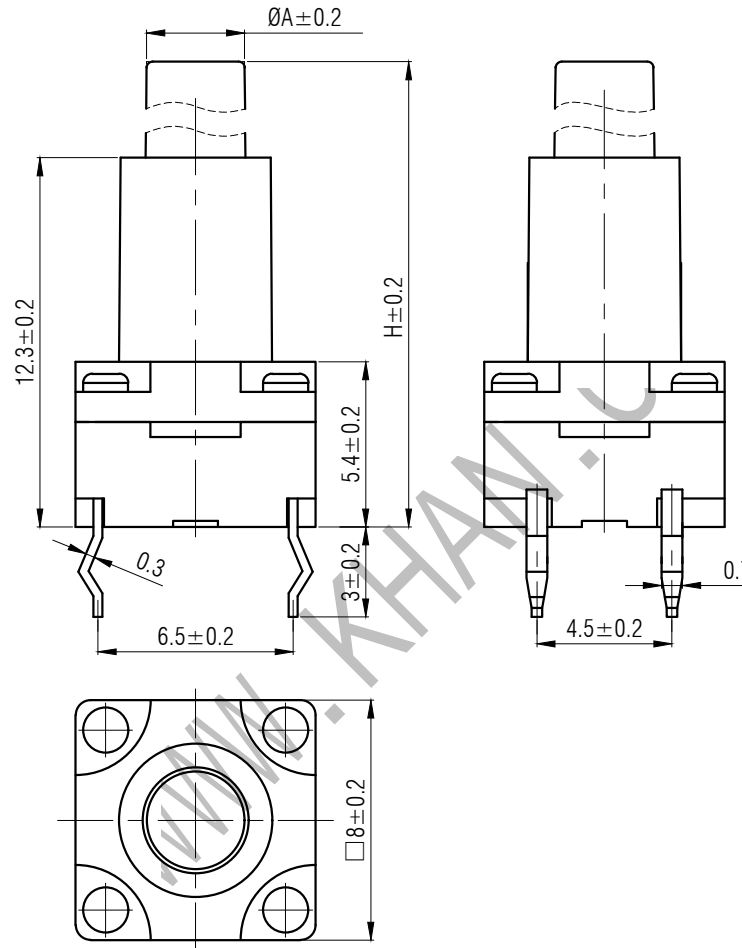
Operating Temperature: -25~+70°C
 Relative Humidity: (40°C) ≤95%

Materials

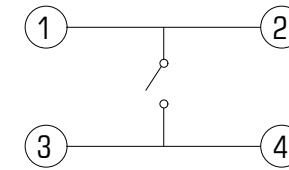
- 8.Cover: Black GP.PA66
- 7.Stem: Black GP.PC
- 6.Washer: Rubber
- 5.Waterproof membrane: PIF membrane
- 4.Inner Stem: Black GP.PA66
- 3.Contact: Copper with Silver Cladding
- 2.Holder: Black GP.PA66
- 1.Terminal: Copper (H62Y t=0.3) with Silver Cladding

Packaging

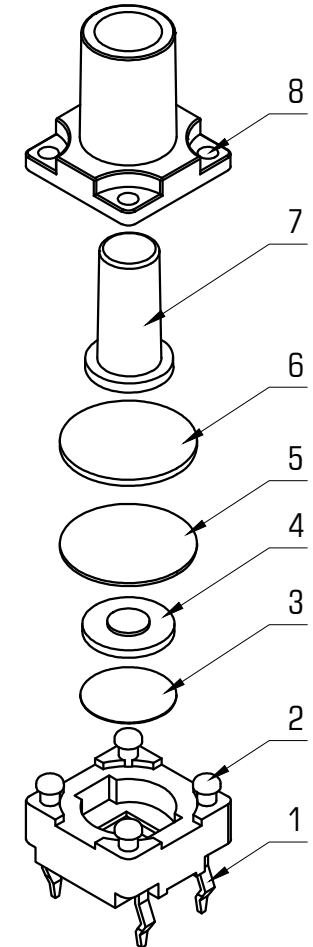
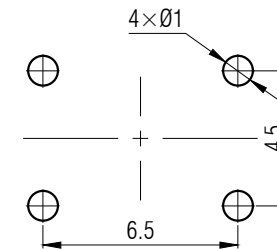
Bulk Package
 Inner Package: Plastic bag
 Outer Package: Carton



CIRCUIT DIAGRAM



P.C.B. LAYOUT



H	13.5	14	14.5	15	15.5	16	16.5	17	17.1	17.5	18	18.5	18.5	19	19.5	20
A	3.2	3.1	3.2	3	3.2	3.1	3.1	3.2	3.1	3.2	3.2	3.2	2	3	3.2	3
H	20.5	21	21.2	21.7	22.5	23.5										
A	3.1	3	3	3.2	3.1	3.2										

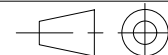


KANGHONG ELECTRONIC

VERSION

KH14FE22E

PROJECTION



DESIGN

YUDA AO

SCALE

SIZE

Dimensions are shown:mm(inches)

DRAWN

ZHIJIE LU

4:1

A4

2015.10.27

APPROVAL

JUNHUI XU