

# TACT SWITCH

P/N:TSD06111-H



## SPECIFICATIONS

Function: Momentary action  
 Contact Arrangement: SPST, Normally Open  
 Termination: THD version

### Mechanical

Actuation Force: 280±50grams  
 Life Expectancy: 100,000 Operations

### Electrical

Contact Rating: 50mA @ 12V DC  
 Dielectric Strength: 250V AC for 1minute  
 Contact Resistance: 100mΩ Max.  
 Insulation Resistance: 100MΩ Min.  
 Travel: 0.25±0.1mm

### Environmental

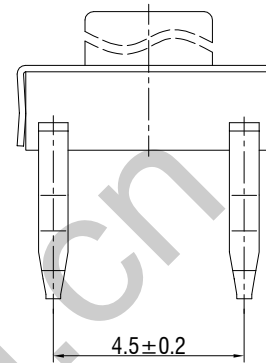
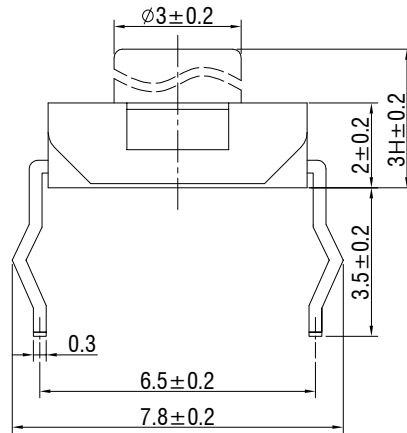
Operating Temperature: -25~+70℃  
 Relative Humidity: (40℃) ≤95%

### Materials

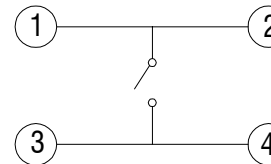
6.Cover: Stainless steel  
 5.Stem: Black GP.PPA  
 4.Waterproof membrane: PIF membrane  
 3.Contact: Stainless Steel with Silver cladding  
 2.Holder: Black GP.PPA  
 1.Terminal: Copper (t=0.3) with Silver Cladding

### Packaging

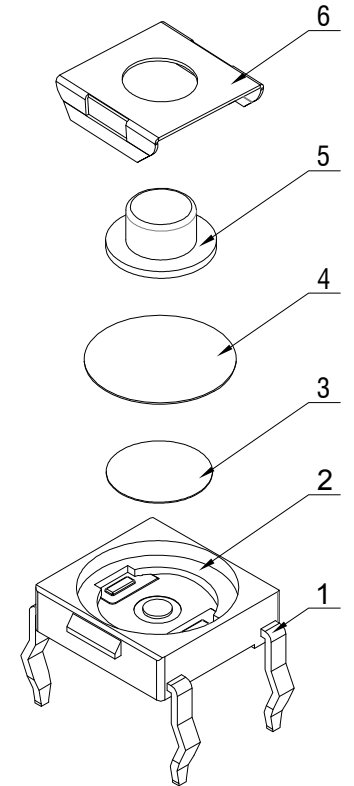
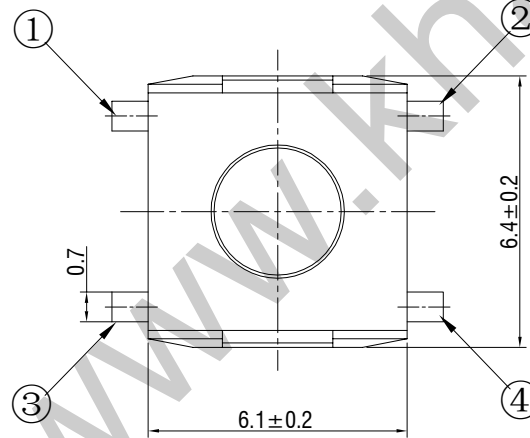
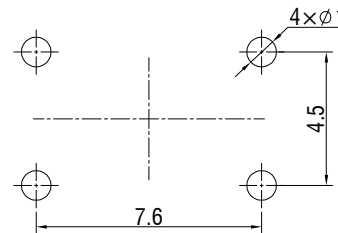
Bulk Package  
 Inner Package: Plastic bag  
 Outer Package: Carton



## CIRCUIT DIAGRAM



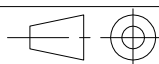
## P.C.B. LAYOUT



H	2.5	2.7	3.1	3.4	3.8	5.0
---	-----	-----	-----	-----	-----	-----



# WENZHOU KHAN ELECTRONIC

VERSION		PROJECTION	DESIGN	Shuqing Zhu
KH14FE22E			DRAWN	Wei Lin
SCALE	SIZE	 Dimensions are shown:mm(inches)	APPROVAL	Johan Xu
5:1	A4		2022.01.10	