

TACT SWITCH

P/N:TSA45513



SPECIFICATIONS

Function: Momentary action
 Contact Arrangement: SPST, Normally Open
 Termination: THD version

Mechanical

Actuation Force: 280±50grams
 Life Expectancy: 100,000 Operations

Electrical

Contact Rating: 50mA @ 12V DC
 Dielectric Strength: 250V AC for 1minute
 Contact Resistance: 100mΩ Max.
 Insulation Resistance: 100MΩ Min.
 Travel: 0.25±0.1mm

Environmental

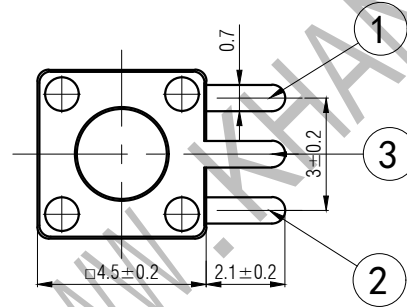
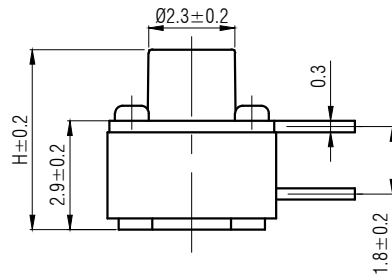
Operating Temperature: -25~+70°C
 Relative Humidity: (40°C) ≤95%

Materials

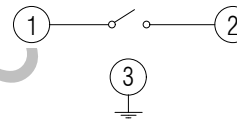
5.Cover: Ferrum with Copper & Tin
 4.Stem: Black GP.PPA
 3.Contact: Stainless Steel with Silver cladding
 2.Holder: Black GP.PPA
 1.Terminal: Copper (H62Y) with Silver Cladding

Packaging

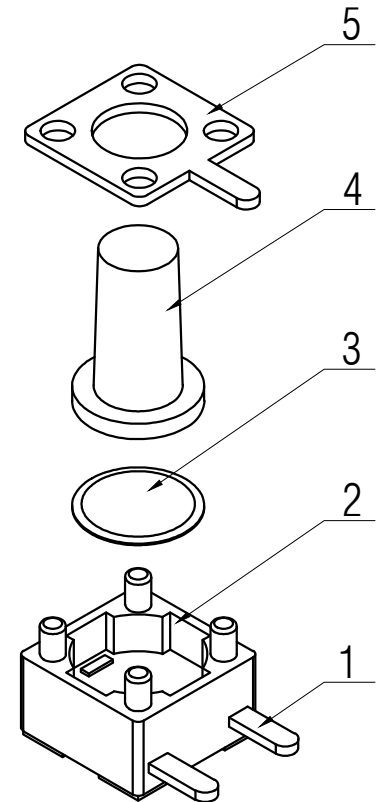
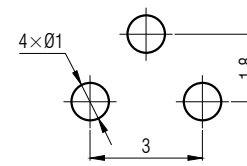
Bulk Package
 Inner Package: Plastic bag
 Outer Package: Carton



CIRCUIT DIAGRAM



P.C.B. LAYOUT



H	3.8	4.3	4.8	5	5.5	7.1
---	-----	-----	-----	---	-----	-----



KANGHONG ELECTRONIC

VERSION		PROJECTION	DESIGN
KH14FE22E			
SCALE	SIZE	Dimensions are shown:mm(inches)	DRAWN
5:1	A4		2015.11.26