

# MICRO SWITCH

P/N:KW11-00



## SPECIFICATIONS

Function: Momentary action  
 Contact Arrangement: SPDT, Normally Open  
 Termination: THD version

### Mechanical

Actuation Force: 50 ~ 80grams  
 Electrical Life: 10K Operations

### Electrical

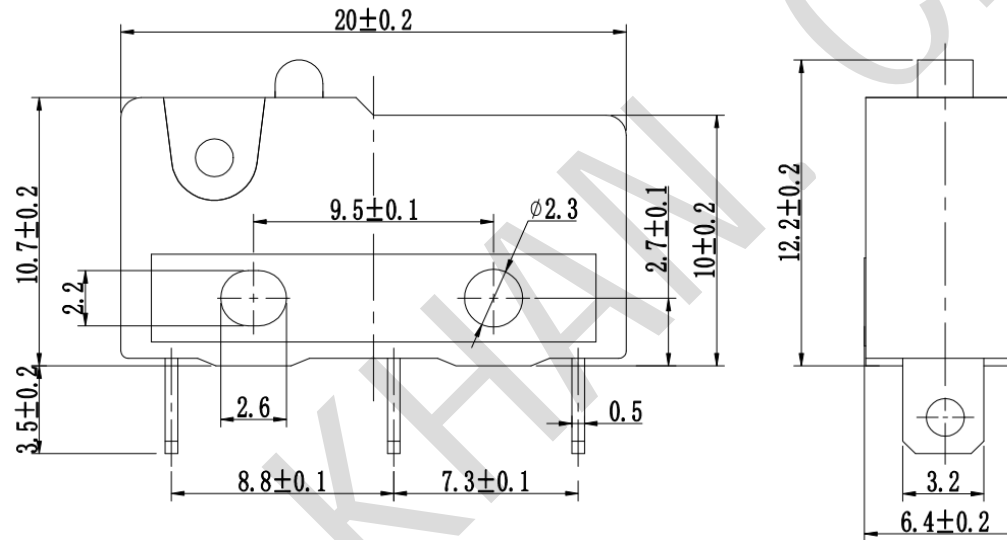
Contact Rating: 50mA @ 12V AC  
 Dielectric Strength: 250V AC for 1minute  
 Contact Resistance: 50mΩ Max.  
 Insulation Resistance: 100MΩ Min.

### Environmental

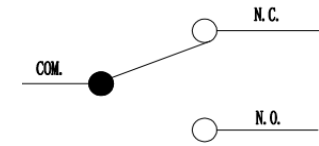
Operating Temperature: -25 ~ +70°C  
 Relative Humidity: (40°C) ≤ 85%

### Packaging

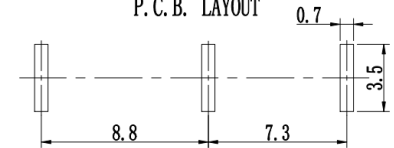
Bulk Package: Plastic bag  
 Inner Package: Carton  
 Outer Package:



## CIRCUIT DIAGRAM



## P. C. B. LAYOUT



# KANGHONG ELECTRONIC

VERSION		PROJECTION	DESIGN	YUDA AO
KH14FE22E			DRAWN	ZHIJIE LU
SCALE	SIZE	 Dimensions are shown:mm(inches)	APPROVAL	JUNHUI XU
4:1	A4		2016.04.30	