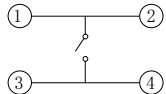
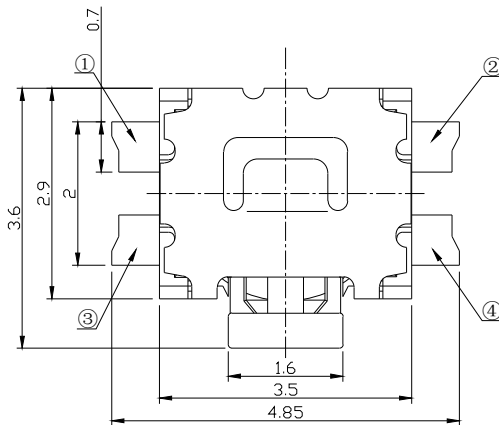
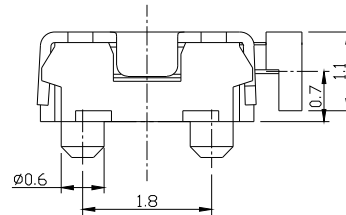
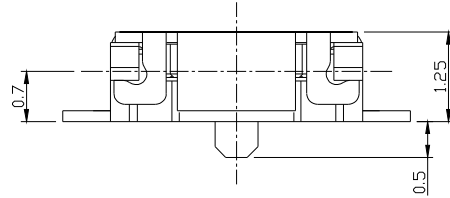




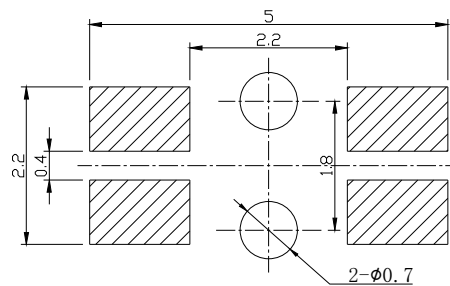
Switch drawings

Number Description

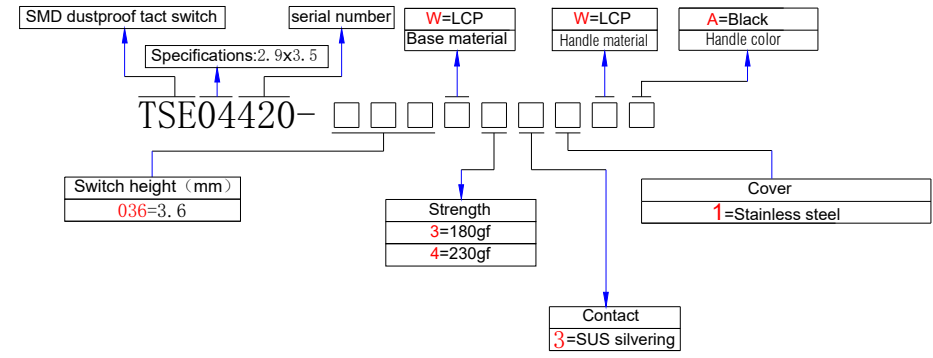


CIRCUIT DIAGRAM

Note: Unmarked tolerances for linear dimensions shall be in accordance with GB/T1804 level m.



P.C.B. LAYOUT



SPECIFICATIONS	
Funtion:	Momentary action
Contact Arrangement:	SPST, Normally Open
Termination:	SMD version
Environmental	
Operating Temperature:	-25~+70°C
Relative Humidity:	(40°C) ≤95%
Electrical	
Contact Rating:	50mA 12V DC
Dielectric Strength:	250VAC /1min
Contact Resistance:	100m Ω Max.
Insulation Resistance:	100M Ω Min.
Travel:	0.2 ± 0.1mm
Sealing:	IP6X
Mechanical	
Actuation Force:	220gf
Life Expectancy:	100K

Materials	
6.Cover:	Stainless steel
5.Stem:	Black PA46
4.Waterproof membrane:	Polyimide
3.Spring:	Stainless steel covered with silver
2.Holder:	Black LCP
1.Terminal:	Phosphor copper plated with silver

