



TACT SWITCH

P/N:TSL06151

ILLUMINATED



SPECIFICATIONS

Function: Momentary action
 Contact Arrangement: SPST, Normally Open
 Termination: THD version

Mechanical

Actuation Force: 250±50grams
 Life Expectancy: 100,000 Operations

Electrical

Contact Rating: 50mA @ 12V DC
 Dielectric Strength: 250VAC for 1minute
 Contact Resistance: 50mΩ Max.
 Insulation Resistance: 100MΩ Min.
 Travel: 0.25±0.1mm

Environmental

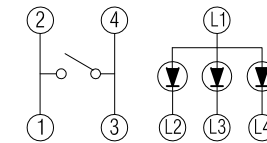
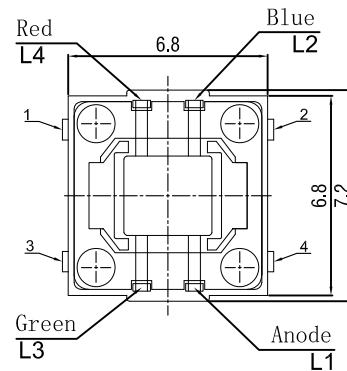
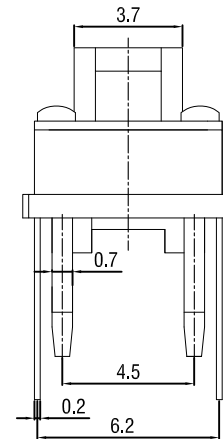
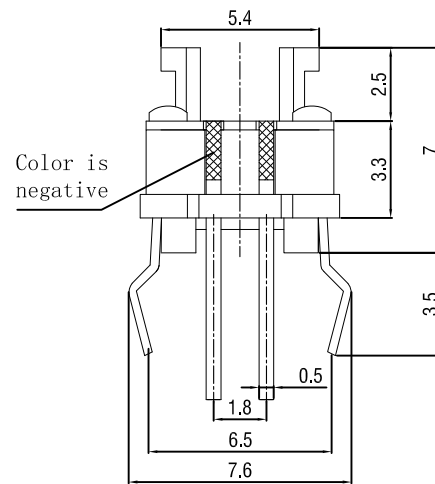
Operating Temperature: -25~+70°C
 Relative Humidity: (40°C) ≤70%

Materials

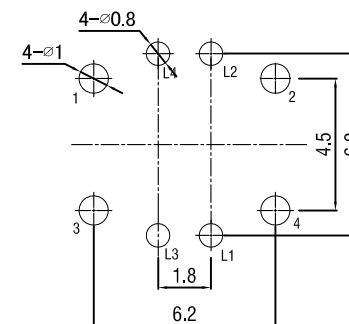
6.Cover: Black GP.PPA
 5.LED: RGB
 4.Cover: Black GP.PPA
 3.Contact: Copper with Silver cladding
 2.Holder: Black GP.PPA
 1.Terminal: Copper with Silver Cladding

Packaging

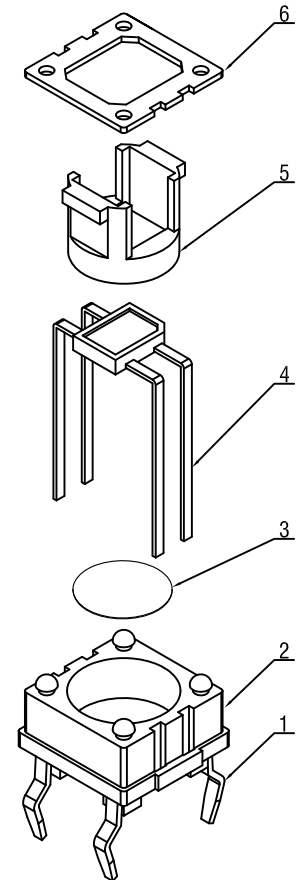
Bulk Package
 Inner Package: Plastic bag
 Outer Package: Carton



CIRCUIT DIAGRAM



P.C.B. LAYOUT



KHON® WENZHOU KHAN ELECTRONIC

VERSION		PROJECTION	DESIGN	SHUQING ZHU
KH14FE22E			DRAWN	ZHONGJU PENG
SCALE	SIZE	Dimensions are shown:mm(inches)	APPROVAL	JUNHUI XU
1:1	A4		2019.10.11	