

TACT SWITCH

P/N:TSA12111-H-001E

SPECIFICATIONS

Function: Momentary action
 Contact Arrangement: SPST, Normally Open
 Termination: THD version

Mechanical

Actuation Force: 180±50grams
 Life Expectancy: 200,000 Operations

Electrical

Contact Rating: 50mA . 12V DC
 Dielectric Strength: 250V AC for 1 Min.
 Contact Resistance: 100mΩ Max.
 Insulation Resistance: 100MΩ Min.
 Travel: 0.3±0.1mm

Environmental

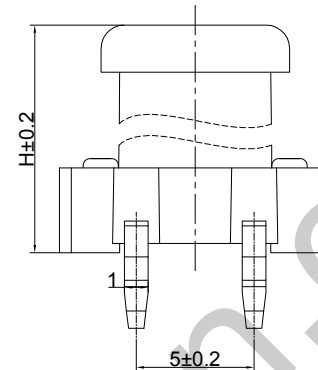
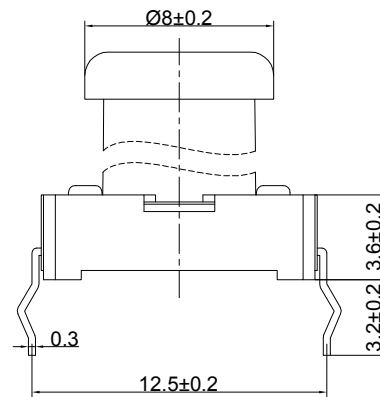
Operating Temperature: -25~+70℃
 Relative Humidity: (40℃)≤70%RH

Materials

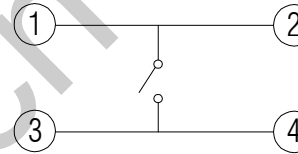
- 6.Cap: White GP.PC
- 5.Cover: Ferrum with Nickelplate
- 4.Stem: Black GP.PC
- 3.Contact: Copper with Silver cladding
- 2.Holder: Black GP.PA66
- 1.Terminal: Copper with Silver Cladding

Packaging

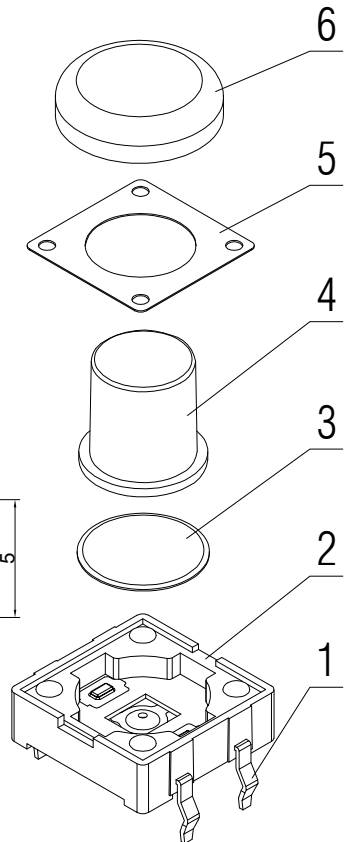
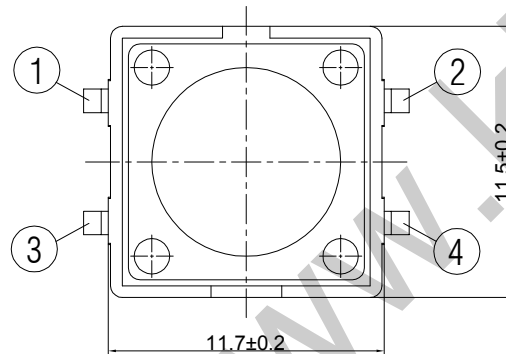
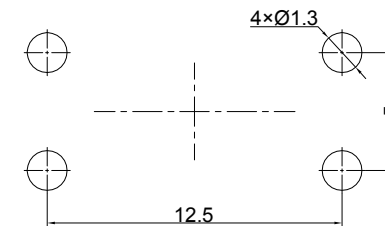
Bulk Package
 Inner Package: Plastic bag
 Outer Package: Carton



CIRCUIT DIAGRAM



P.C.B. LAYOUT



| | | | | | | | | | | | |
|---|------|----|------|-----|----|-----|------|------|----|------|----|
| H | 7.5 | 8 | 8.5 | 8.7 | 9 | 9.5 | 10 | 10.5 | 11 | 11.5 | 12 |
| H | 12.5 | 13 | 13.5 | 14 | 15 | 16 | 16.5 | 18 | 19 | 20.7 | 22 |



WENZHOU KHAN ELECTRONIC

| | | | | | |
|-----------|------|-------------------------------------|--|----------|--------------|
| VERSION | | PROJECTION | | DESIGNED | Wei Lin |
| KH14FE22E | | Dimensions are shown:mm(inches) | | CHECKED | ZhongJu Peng |
| SCALE | SIZE | | | APPROVED | Johan Xu |
| 5:1 | A4 | 2022.05.11 | | | |