

# TACT SWITCH

P/N:TSX08136

WATERPROOF



Professional Manufacturer Since 2000

## SPECIFICATIONS

Function: Momentary action  
 Contact Arrangement: SPST, Normally Open  
 Termination: THD version

### Mechanical

Actuation Force: 230±50grams  
 Life Expectancy: 100,000 Operations

### Electrical

Contact Rating: 50mA @ 12V DC  
 Dielectric Strength: 250VAC for 1minute  
 Contact Resistance: 100mΩ Max.  
 Insulation Resistance: 100MΩ Min.  
 Travel: 0.35±0.1mm

### Environmental

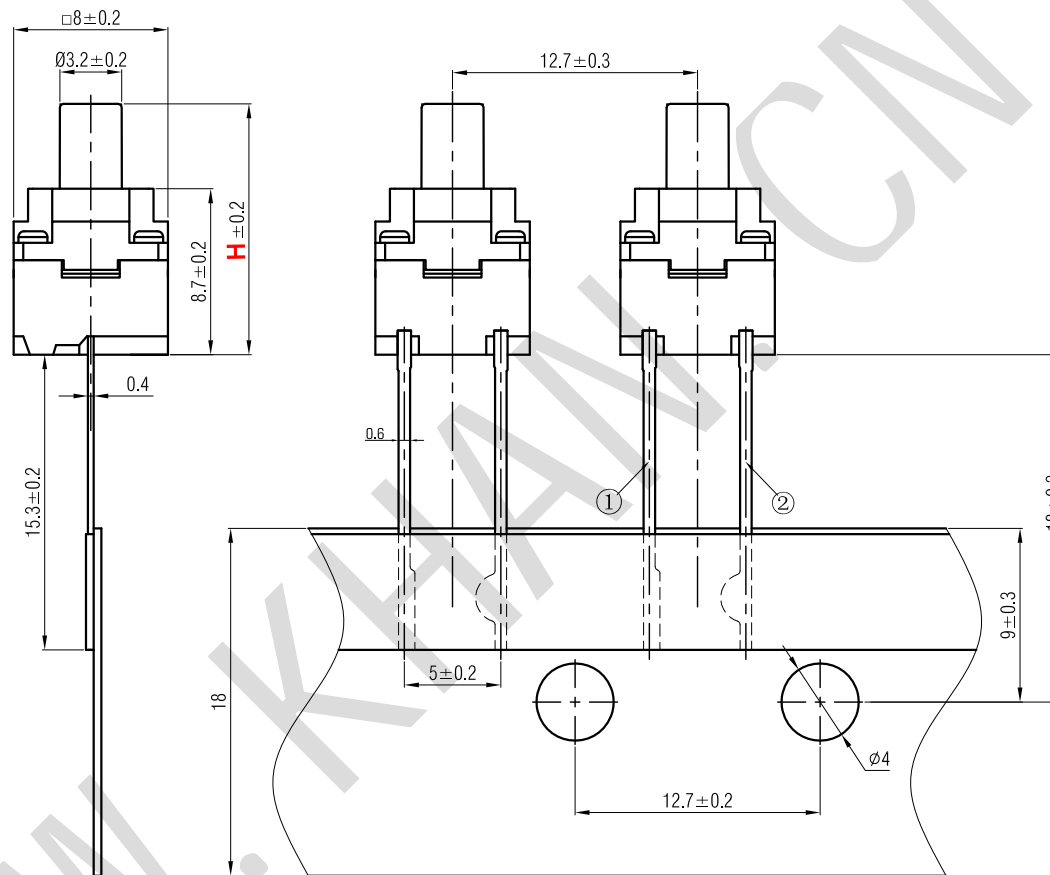
Operating Temperature: -25~+70°C  
 Relative Humidity: (40°C) ≤95%

### Materials

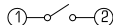
- 8.Cover: Black GP.PA66
- 7.Stem: Black GP.PA66
- 6.Washer: Rubber
- 5.Waterproof membrane: PIF membrane
- 4.Inner Stem: Black GP.PA66
- 3.Contact: Copper with Silver Cladding
- 2.Holder: Black GP.PA66
- 1.Terminal: Copper (H65 t=0.3) with Silver Cladding

### Packaging

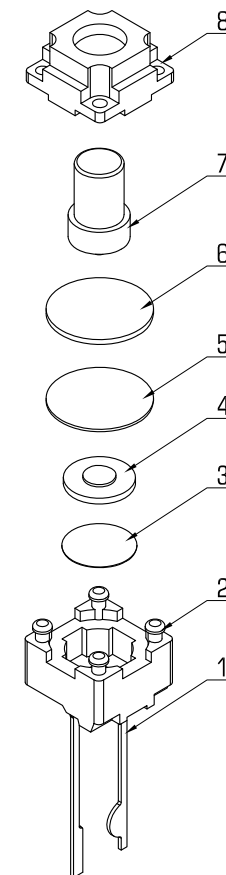
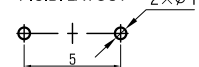
Bulk Package  
 Inner Package: Plastic bag  
 Outer Package: Carton



CIRCUIT DIAGRAM



P.C.B. LAYOUT



# WENZHOU KHAN ELECTRONIC

VERSION		PROJECTION	DESIGN	SHUQING ZHU
KH14FE22E			DRAWN	ZHONGJU PENG
SCALE	SIZE	 Dimensions are shown:mm(inches)	APPROVAL	JUNHUI XU
1:1	A4		2020.03.17	