



TACT SWITCH

P/N: TSW06112

WATERPROOF



SPECIFICATIONS

Function: Momentary action
 Contact Arrangement: SPST, Normally Open
 Termination: THD version

Mechanical

Actuation Force: 230 ± 50 grams
 Life Expectancy: 100K Operations

Electrical

Contact Rating: 50mA @ 12V DC
 Dielectric Strength: 250V AC for 1 minute
 Contact Resistance: 100mΩ Max.
 Insulation Resistance: 100MΩ Min.
 Travel: 0.3 ± 0.1 mm

Environmental

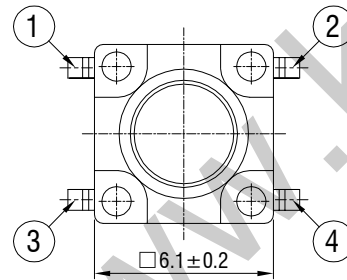
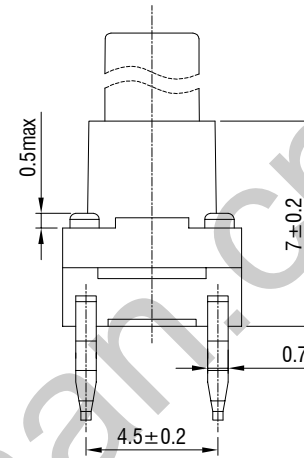
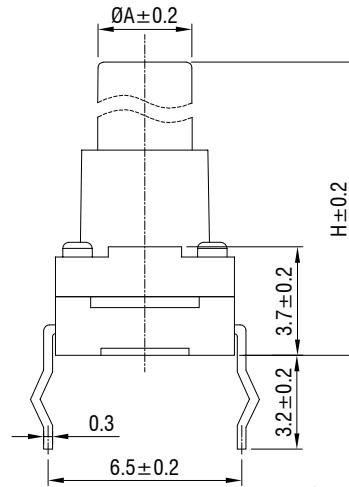
Operating Temperature: -25 ~ +70 °C
 Relative Humidity: (40 °C) ≤ 95%

Materials

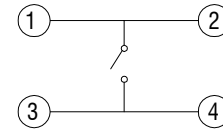
7. Cover: Black GP.PA66
 6. Stem: Black GP.PA66
 5. Washer: Rubber
 4. Waterproof membrane: PIF membrane
 3. Contact: Stainless Steel with Silver Cladding
 2. Holder: Black GP.PA66
 1. Terminal: Copper with Silver Cladding

Packaging

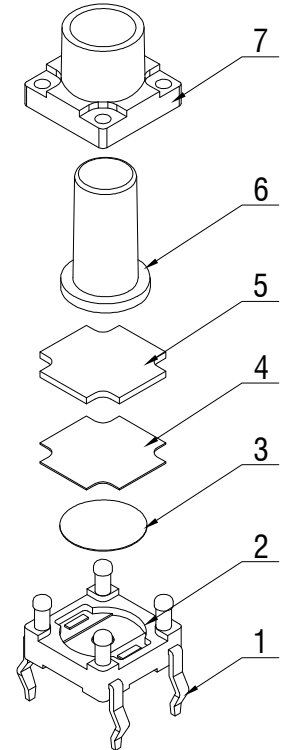
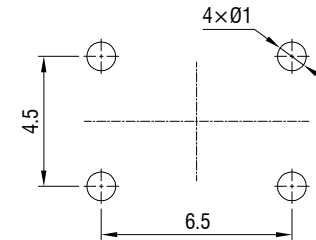
Bulk Package
 Inner Package: Plastic bag
 Outer Package: Carton



CIRCUIT DIAGRAM



P.C.B. LAYOUT



H	8	8.5	8.8	9	9.5	9.7	9.9	10	10.3	10.5	11	11.5
A	3.2	3.2	3.1	3.1	3.2	3.1	3.2	3.2	3.2	3	3.1	3.2
H	12	12.5	13	13.5	14	14.5	15	15.5	15.6	16	16.5	17
A	3.2	3.1	3.2	3	3.2	3.1	3.1	3.2	3.1	3.2	3.2	3.2
H	17	17.5	18	18.5	19	19.5	19.7	20.2	21	22		
A	2	3	3.2	3	3.1	3	3	3.2	3.1	3.2		



WENZHOU KHAN ELECTRONIC

VERSION		PROJECTION	DESIGN	Shuqing Zhu
KH14FE22E			DRAWN	Wei Lin
SCALE	SIZE	 Dimensions are shown:mm(inches)	APPROVAL	Johan Xu
4:1	A4		2022.02.21	