

TACT SWITCH
P/N:TSL06131-0040
ILLUMINATED

SPECIFICATIONS

Function: Momentary action
Contact Arrangement: SPST, Normally Open
Termination: THD version

Mechanical

Actuation Force: 180/250±50grams
Life Expectancy: 100,000 Operations

Electrical

Contact Rating: 50mA @ 12V DC
Dielectric Strength: 250VAC for 1minute
Contact Resistance: 100mΩ Max.
Insulation Resistance: 100MΩ Min.
Travel: 0.25±0.1mm

Environmental

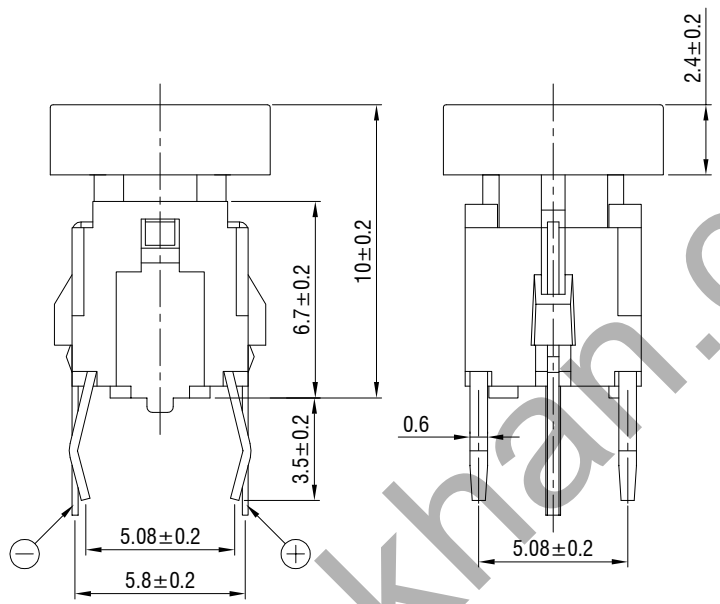
Operating Temperature: -25~+70°C
Relative Humidity: (40°C) ≤95%

Materials

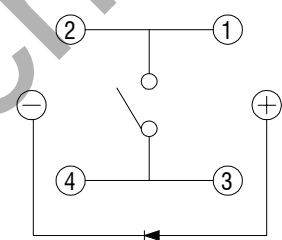
- 6.Cap: ABS
- 5.LED: White,Orange,Blue,Yellow,Green,Red
- 4.Stem: White GP.PA66
- 3.Contact: Stainless Steel with Silver cladding
- 2.Holder: Black GP.PA66
- 1.Terminal: Copper (H62Y t=0.3) with Silver Cladding

Packaging

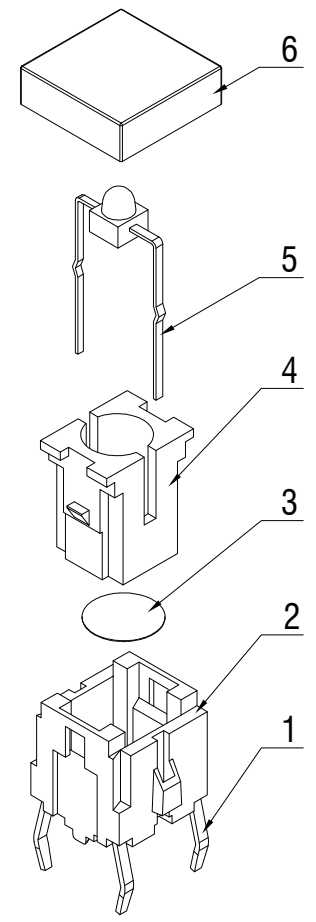
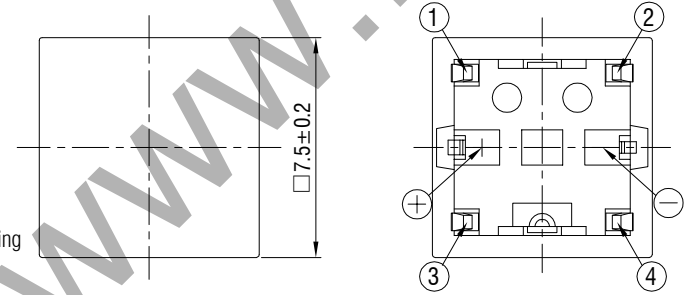
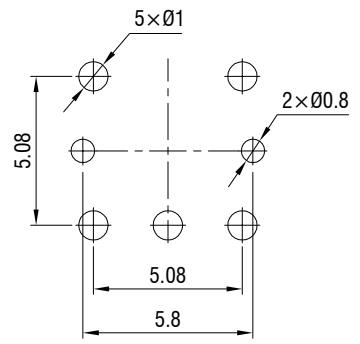
Bulk Package:
Inner Package: Plastic bag
Outer Package: Carton



CIRCUIT DIAGRAM



P.C.B. LAYOUT



WENZHOU KHAN ELECTRONIC

VERSION		PROJECTION	DESIGN	Shuqing Zhu
KH14FE22E			DRAWN	Wei Lin
SCALE	SIZE	 Dimensions are shown:mm(inches)	APPROVAL	Johan Xu
4:1	A4		2022.02.18	