

MICRO SWITCH

P/N:KW10-03-L

Left-angled



SPECIFICATIONS

Function: Momentary action
 Contact Arrangement: SPDT, Normally Oper
 Termination: THD version

Mechanical

Actuation Force: 50~90grams
 Mechanical Life: 3M Operations
 Electrical Life: 3M Operations

Electrical

Contact Rating: 100mA @ 30V DC
 Dielectric Strength: 300V AC for 1minute
 Contact Resistance: 50mΩ Max.
 Insulation Resistance: 100MΩ Min.
 Travel: 1±0.5mm

Environmental

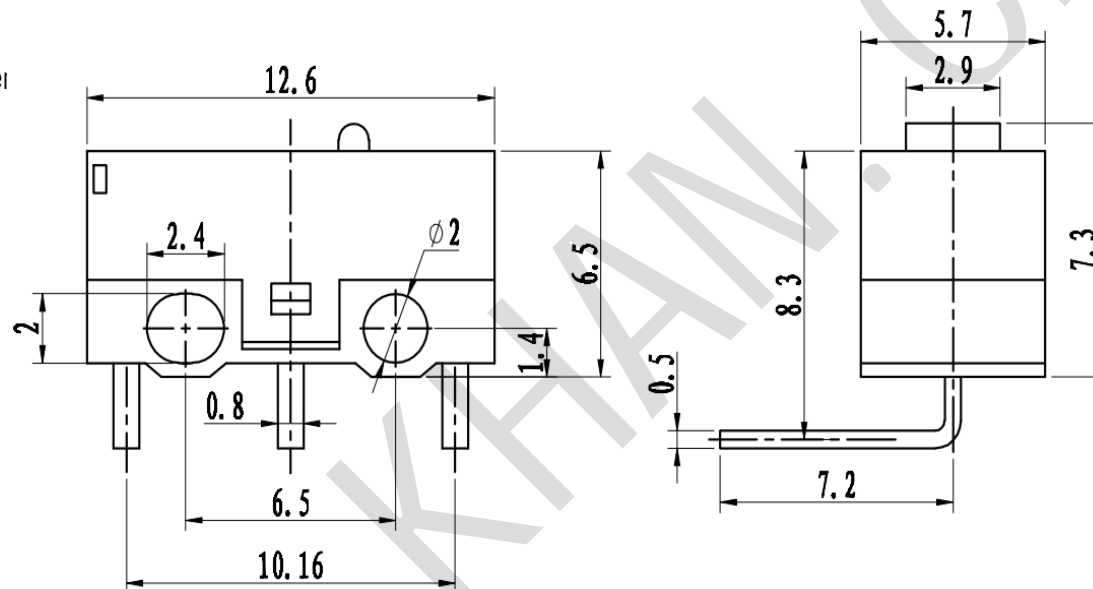
Operating Temperature: -25~+65°C
 Relative Humidity: (35°C) ≤85%

Materials

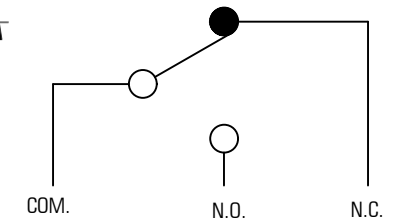
6.Springboard: Stainless Steel
 5.Cover: Black GP.PC
 4.Stem: POM
 3.Contact: Silver Copper
 2.Holder: White GP.PPA
 1.Terminal: Copper with Silver Cladding

Packaging

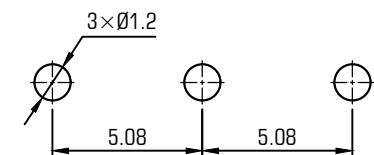
Bulk Package
 Inner Package: Plastic bag
 Outer Package: Carton



CIRCUIT DIAGRAM



P.C.B. LAYOUT



VERSION		PROJECTION	DESIGN	YUDA AO
KH14FE22E			DRAWN	ZHIJIE LU
SCALE	SIZE	 Dimensions are shown:mm(inches)	APPROVAL	JUNHUI XU
4:1	A4		2016.05.04	