

TACT SWITCH  
P/N:KAN3-22



### SPECIFICATIONS

Funtion: LOCK  
Contact Arrangement: DPDT

#### Mechanical

Life Expectancy: 10,000 Operations

#### Electrical

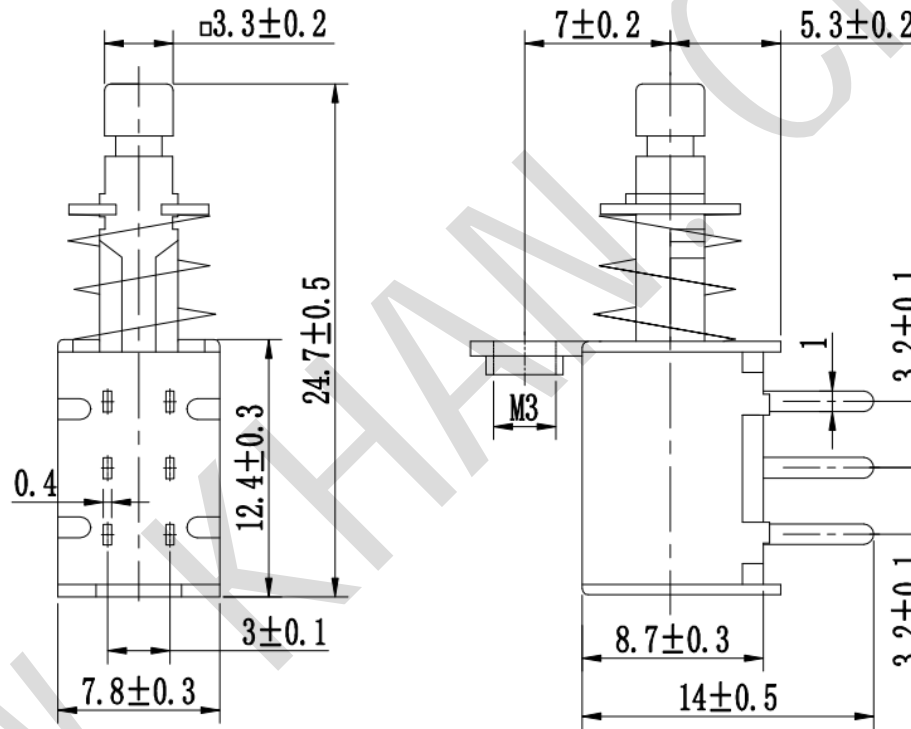
Contact Rating: 0.3A @ 30V DC  
Dielectric Strength: 500V AC for 1minute  
Contact Resistance: 50mΩ Max.  
Insulation Resistance: 500MΩ Min.

#### Environmental

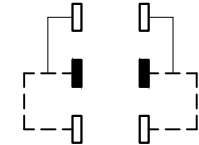
Operating Temperature: -25~ +70℃  
Relative Humidity: (40℃) ≤95%

#### Packaging

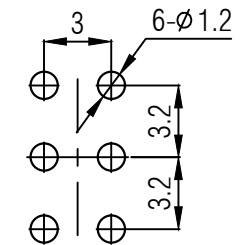
Bulk Package  
Inner Package: Plastic bag  
Outter Package: Carton



CIRCUIT DIAGRAM



P.C.B. LAYOUT



**KANGHONG ELECTRONIC**

VERSION		PROJECTION	DESIGN	
KH14FE22E				
SCALE	SIZE	 Dimensions are shown:mm(inches)	DRAWN	
1:1	A4		2014.02.20	APPROVAL