



# TACT SWITCH

P/N:TSA06330-H



## SPECIFICATIONS

Function: Momentary action  
 Contact Arrangement: SPST, Normally Open  
 Termination: SMD version

### Mechanical

Actuation Force: 180±50grams  
 Life Expectancy: 100,000 Operations

### Electrical

Contact Rating: 50mA @ 12V DC  
 Dielectric Strength: 250VAC for 1minute  
 Contact Resistance: 100mΩ Max.  
 Insulation Resistance: 100MΩ Min.  
 Travel: 0.25±0.1mm

### Environmental

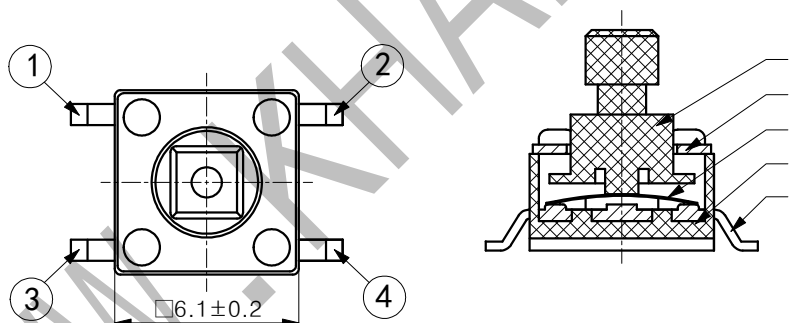
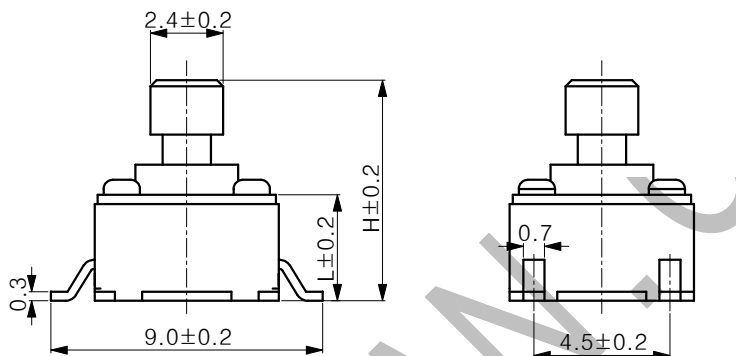
Operating Temperature: -25~+70℃  
 Relative Humidity: (40℃)≤95%

### Materials

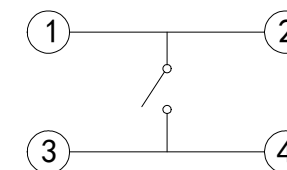
5.Stem: Brown GP.PPA  
 4.Cover: Ferrum with Nickelplate  
 3.Contact: stainless steel with Silver cladding  
 2.Holder: Brown GP.PPA  
 1.Terminal: Copper (H62Y t=0.3) with Silver Cladding

### Packaging

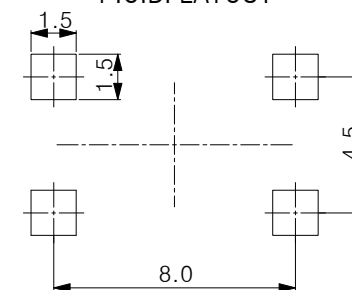
Bulk Package  
 Inner Package: Plastic bag  
 Outer Package: Carton



## CIRCUIT DIAGRAM



## P.C.B. LAYOUT



H	7	7.3	7.5
L	4.2	4.5	4.7



VERSION		PROJECTION	DESIGN
KH14FE22E			
SCALE	SIZE	 Dimensions are shown:mm(inches)	DRAWN
4:1	A4		2014.02.22