



# TACT SWITCH

P/N:TSA12111-H



## SPECIFICATIONS

Function: Momentary action  
 Contact Arrangement: SPST, Normally Open  
 Termination: THD version

### Mechanical

Actuation Force: 280±50grams  
 Life Expectancy: 100,000 Operations

### Electrical

Contact Rating: 50mA @ 12V DC  
 Dielectric Strength: 250V AC for 1minute  
 Contact Resistance: 50mΩ Max.  
 Insulation Resistance: 100MΩ Min.  
 Travel: 0.3±0.1mm

### Environmental

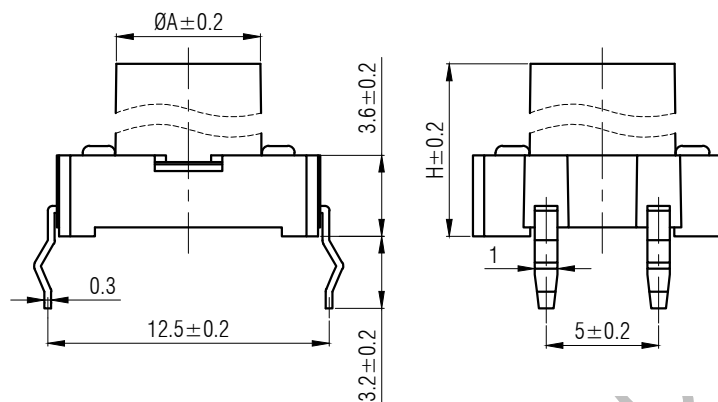
Operating Temperature: -25~+70°C  
 Relative Humidity: (40°C) ≤95%

### Materials

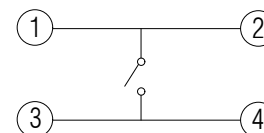
5.Cover: Ferrum with Nickelplate  
 4.Stem: Black GP.PA66/PC  
 3.Contact: Copperwith Silver cladding  
 2.Holder: Black GP.PA66  
 1.Terminal: Copper with Silver Cladding

### Packaging

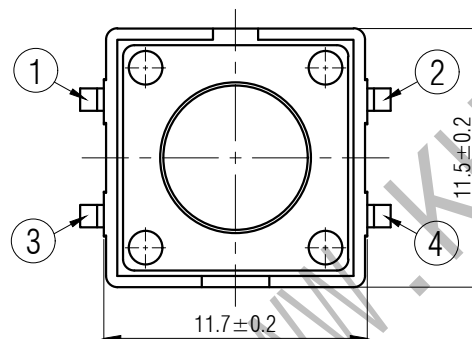
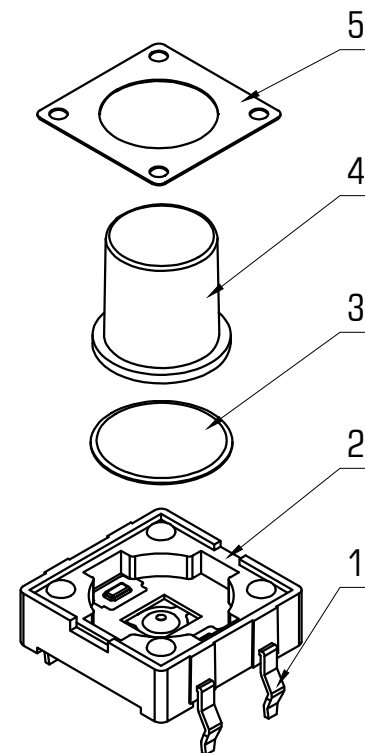
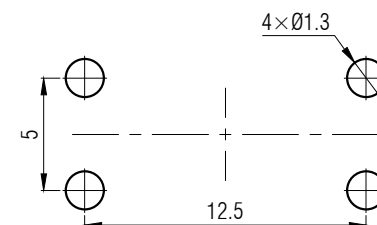
Bulk Package  
 Inner Package: Plastic bag  
 Outer Package: Carton



### CIRCUIT DIAGRAM



### P.C.B. LAYOUT



H	4.3	4.5	5	5.5	6	6.5	7	7.5	7.7	8	8.5	9	9.5	10
A	6.4	6.4	6.4	6.4	6.4	6.2	6.3	6.2	6.2	6.3	6.3	6.2	6.2	6.3
H	10.5	11	11.5	12	12.5	13	14	15	15.5	17	18	19	19.7	21
A	6.2	6.2	6.2	6.2	6.2	6.2	6.2	6.2	6.2	6.1	6.1	6.1	6.1	6.1



# KHAN ELECTRONIC

VERSION		PROJECTION	DESIGN	YUDA AO
KH14FE22E			DRAWN	ZHIJIE LU
SCALE	SIZE	Dimensions are shown:mm(inches)	APPROVAL	JUNHUI XU
3:1	A4		2016.03.01	