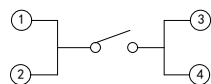
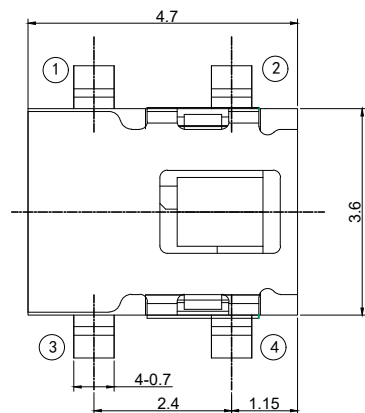
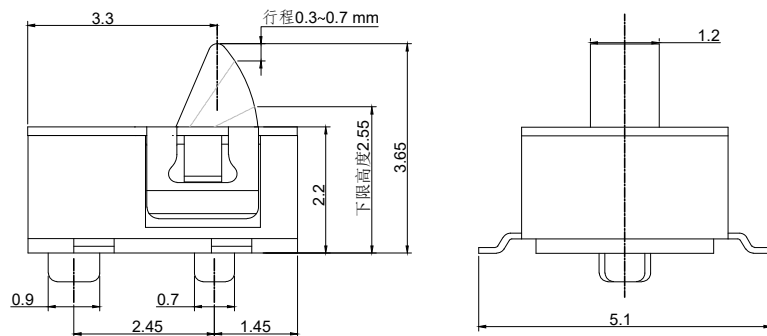


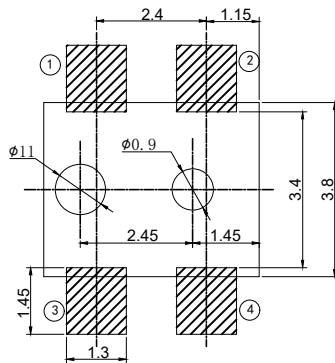


Switch drawings

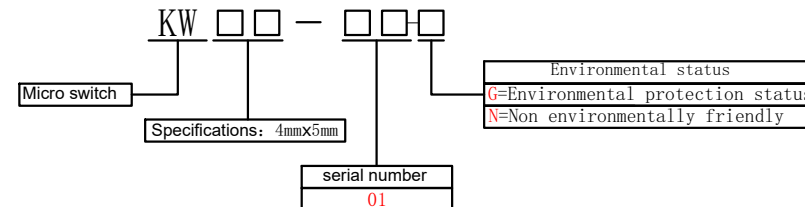
Number Description



CIRCUIT DIAGRAM

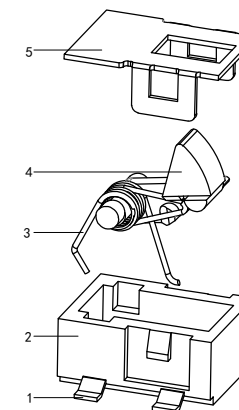


P.C.B. LAYOUT



SPECIFICATIONS	
Funtion:	Momentary action
Contact Arrangement:	SPST, Normally Open
Termination:	THD version
Environmental	
Operating Temperature:	-25~+70℃
Relative Humidity:	(40℃) ≤95%
Electrical	
Contact Rating:	1A 16V DC
Dielectric Strength:	250VAC /1min
Contact Resistance:	100m Ω Max.
Insulation Resistance:	100M Ω Min.
Travel:	0.3~0.7mm
Sealing:	/
Mechanical	
Actuation Force:	50±20gf
Life Expectancy:	20K

Materials	
5.Cover:	Stainless Steel
4.Stem:	Black PPA
3.Spring:	Phosphor copper plated with silver
2.Holder:	Black LCP
1.Terminal:	Phosphor copper plated with silver



Note: Unmarked tolerances for linear dimensions shall be in accordance with GB/T1804 level m.