

# PUSH LOCK SWITCH

P/N:PS581-06



## SPECIFICATIONS

Function: LOCK  
 Contact Arrangement: DPDT  
 Termination: THD version

### Mechanical

Actuation Force: 100~300grams  
 Life Expectancy: 10,000 Operations

### Electrical

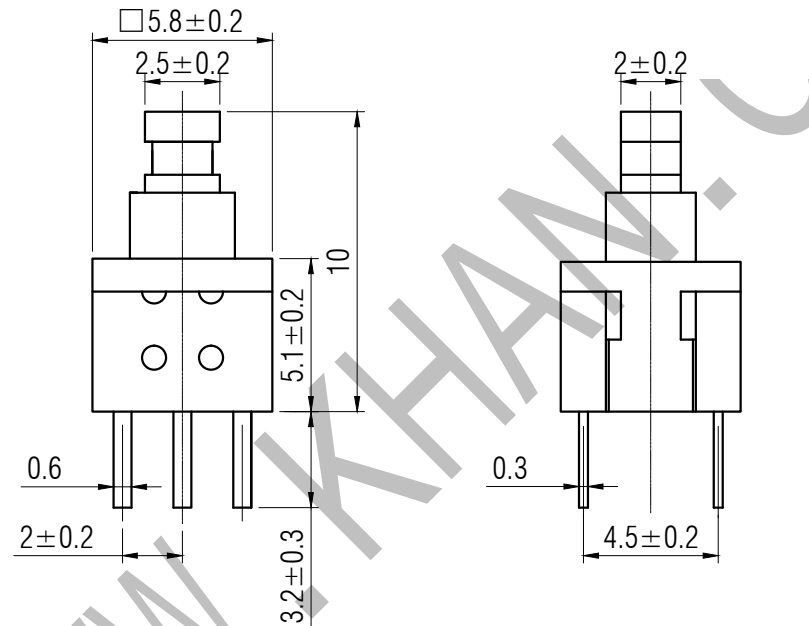
Contact Rating: 0.1A @ 30V DC  
 Dielectric Strength: 250V AC for 1minute  
 Contact Resistance: 100mΩ Max.  
 Insulation Resistance: 100MΩ Min.  
 Travel: 1.5±0.3mm

### Environmental

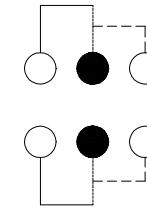
Operating Temperature: -25~+70°C  
 Relative Humidity: (40°C) ≤95%

### Packaging

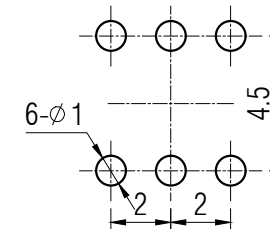
Bulk Package  
 Inner Package: Plastic bag  
 Outer Package: Carton



## CIRCUIT DIAGRAM



## P.C.B. LAYOUT



# KANGHONG ELECTRONIC

VERSION		PROJECTION	DESIGN
KH14FE22E			
SCALE	SIZE	 Dimensions are shown:mm(inches)	DRAWN
4:1	A4		2014.02.20