

TACT SWITCH

P/N:TSA06121-H



SPECIFICATIONS

Function: Momentary action
 Contact Arrangement: SPST, Normally Open
 Termination: THD version

Mechanical

Actuation Force: 180±50grams
 Life Expectancy: 100,000 Operations

Electrical

Contact Rating: 50mA @ 12V DC
 Dielectric Strength: 250V AC for 1minute
 Contact Resistance: 50mΩ Max.
 Insulation Resistance: 100MΩ Min.
 Travel: 0.25±0.1mm

Environmental

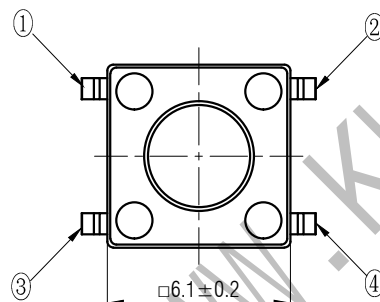
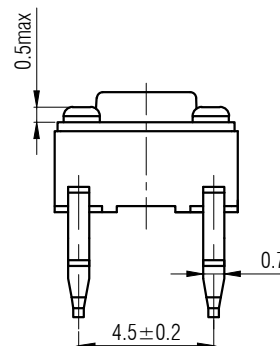
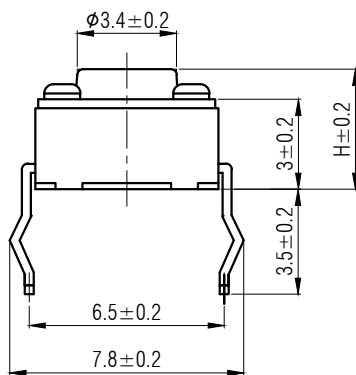
Operating Temperature: -25~+70°C
 Relative Humidity: (40°C) ≤95%

Materials

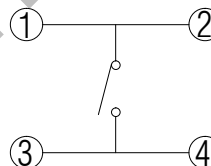
5.Cover: Ferrum with Nickelplate
 4.Stem: Black GP.PA66
 3.Contact: Copper with Silver cladding
 2.Holder: Black GP.PA66
 1.Terminal: Copper (H62Y t=0.3) with Silver Cladding

Packaging

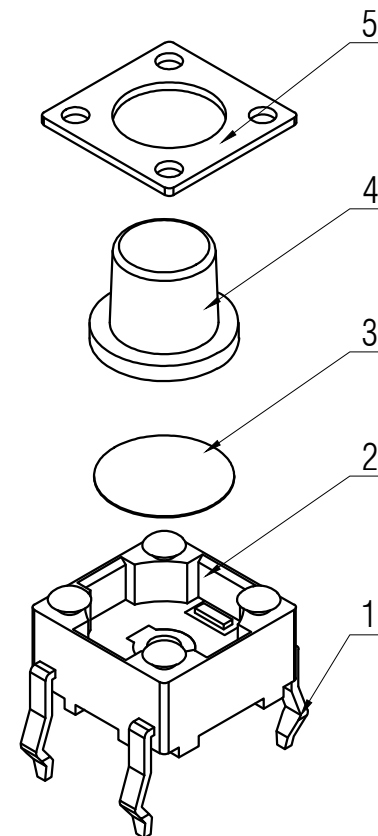
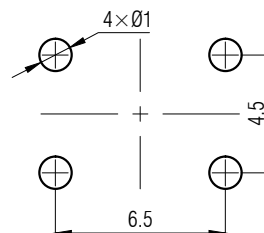
Bulk Package
 Inner Package: Plastic bag
 Outer Package: Carton



CIRCUIT DIAGRAM



P.C.B. LAYOUT



H	3.8	4	4.3	4.5	5	5.5	5.9	6	6.1	6.5	6.8	7
A	3.4	3.4	3.4	3.5	3.2	3.2	3	3.2	3.1	3.2	3.2	3.2
H	7.5	8	8.3	8.5	9	9.2	9.4	9.5	9.8	10	10.5	
A	3.2	3.2	3.1	3.1	3.2	3.1	3.2	3.2	3.2	3	3.1	

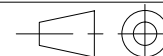


KANGHONG ELECTRONIC

VERSION

KH14FE22E

PROJECTION



DESIGN

DRAWN

APPROVAL

SCALE

4:1

SIZE

A4

Dimensions are shown:mm(inches)

2014.02.22