

TACT SWITCH

P/N:TSA06154



SPECIFICATIONS

Function: Momentary action
 Contact Arrangement: SPST, Normally Open
 Termination: THD version

Mechanical

Actuation Force: 180/250/280±50grams
 Life Expectancy: 100,000 Operations

Electrical

Contact Rating: 50mA @ 12V DC
 Dielectric Strength: 250V AC for 1minute
 Contact Resistance: 50/100mΩ Max.
 Insulation Resistance: 100MΩ Min.
 Travel: 0.25±0.1mm

Environmental

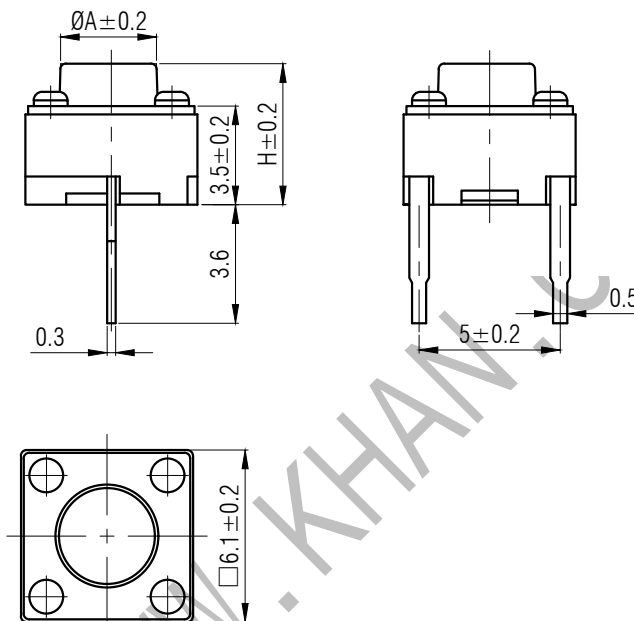
Operating Temperature: -25~+70°C
 Relative Humidity: (40°C)≤95%

Materials

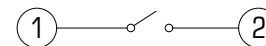
5.Cover: Ferrum with Nickelplate
 4.Stem: Black GP.PA66
 3.Contact: Copper/Stainless Steel with Silver cladding
 2.Holder: Black GP.PA66
 1.Terminal: Copper (H65Y t=0.3) with Silver Cladding

Packaging

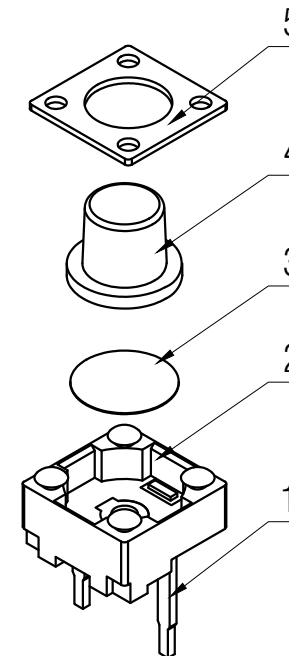
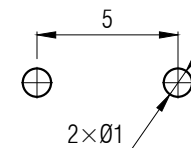
Bulk Package
 Inner Package: Plastic bag
 Outer Package: Carton



CIRCUIT DIAGRAM



P.C.B. LAYOUT



H	4.3	4.5	4.8	5	5.5	6	6.4	6.5	6.6	7	7.3	7.5	8
A	3.4	3.4	3.4	3.5	3.2	3.2	3	3.2	3.1	3.2	3.2	3.2	3.2
H	8.5	8.8	9	9.5	9.7	9.9	10	10.3	10.5	11	11.5	12	12.5
A	3.2	3.1	3.1	3.2	3.1	3.2	3.2	3.2	3	3.1	3.2	3.2	3.1
H	13	13.5	14	14.5	15	15.5	15.6	16	16.5	17	17	17.5	18
A	3.2	3	3.2	3.1	3.1	3.2	3.1	3.2	3.2	3.2	2	3	3.2
H	18.5	19	19.5	19.7	20.2								
A	3	3.1	3	3	3.2								



WENZHOU KHAN ELECTRONIC

VERSION		PROJECTION		DESIGN
KH14FE22E				DRAWN
SCALE	SIZE	Dimensions are shown:mm(inches)		APPROVAL
4:1	A4	2020.01.20		