

**PUSH LATCH
SWITCH**
P/N:PR-07



SPECIFICATIONS

Mechanical

Actuation Force: 2.8~8N
Life Expectancy: 15,000 Operations

Environmental

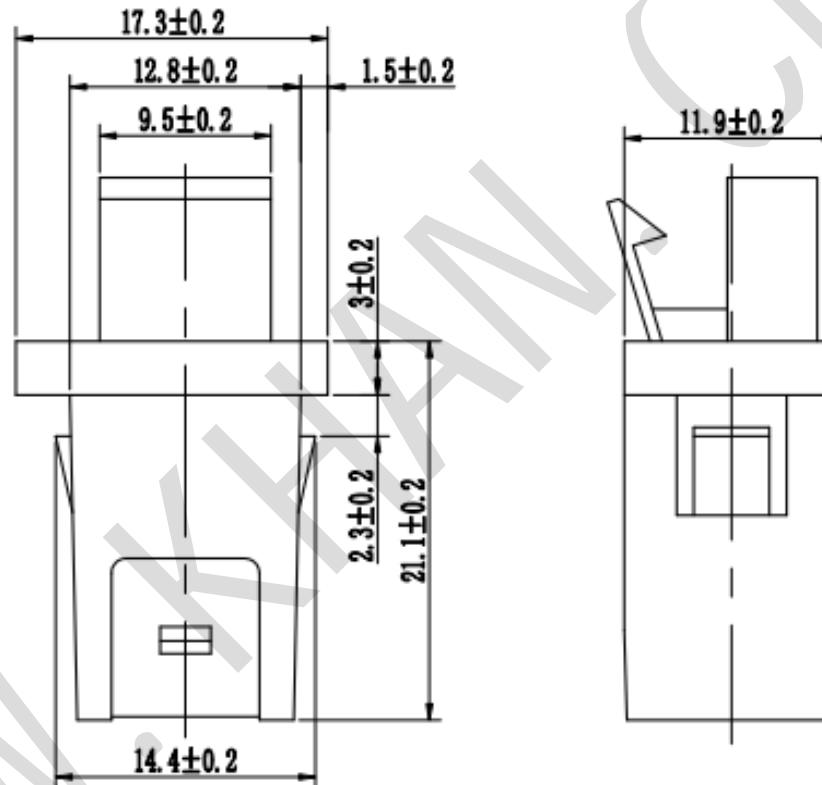
Operating Temperature: -25~+70°C
Relative Humidity: (40°C) ≤95%

Materials

4.Spring: Stainless Steel
3.Hook: White POM
2.Housing: Black/White GP.PC
1.:"Y" shape button: Black/White GP.PA66

Packaging

Bulk Package
Inner Package: Plastic bag
Outer Package: Carton

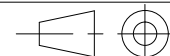


KANGHONG ELECTRONIC

VERSION

KH14FE22E

PROJECTION



Dimensions are shown:mm(inches)

DESIGN

DRAWN

APPROVAL

SCALE

4:1

SIZE

A4

2014.02.20